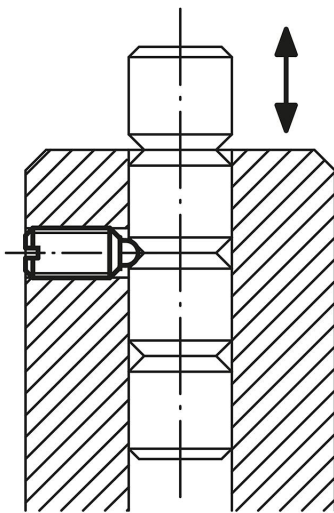


Spring plungers with hexagon socket and ceramic ball, stainless steel

Item description/product images



column indexing



Description

Material:

Sleeve 1.4305.
Ceramic ball Si_3N_4 .
Spring 1.4310.

Version:

Bright.

Note:

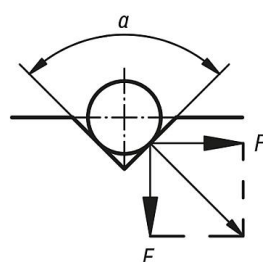
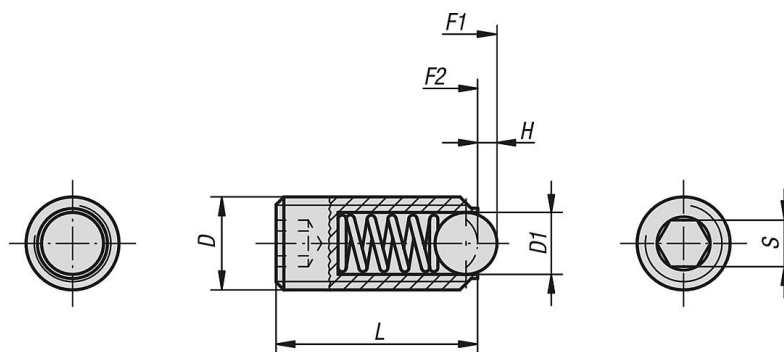
The combination of excellent material properties is a special feature of silicon nitride (Si_3N_4). These include high resilience and stability, excellent wear properties and good chemical resistance.

Advantages:

High temperature resistance.

Spring plungers with hexagon socket and ceramic ball, stainless steel

Drawings



$\alpha = 60^\circ, F' = 1,732 \times F$
 $\alpha = 90^\circ, F' = F$
 $\alpha = 120^\circ, F' = 0,577 \times F$

Overview of items

Spring plungers with hexagon socket and ceramic ball, stainless steel

Order No.	D	D1	H	L	S	Spring force initial pressure F1 approx. N	Spring force final pressure F2 approx. N
K0610.05	M5	3	0,9	14	2,5	6	11
K0610.06	M6	3,5	1	15	3	9	13
K0610.08	M8	5	1,5	18	4	15	30
K0610.10	M10	6	2	23	5	20	35
K0610.12	M12	8	2,5	26	6	30	55
K0610.16	M16	10	3,5	33	8	65	125