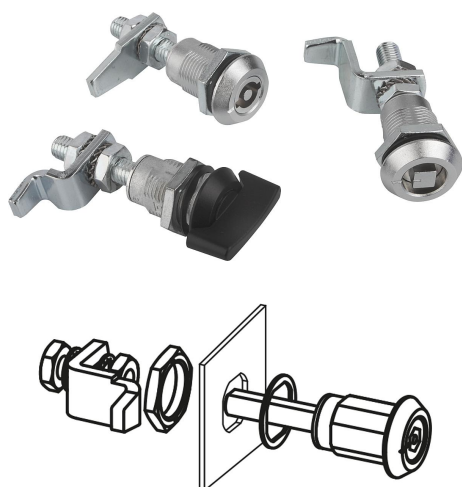


Compression latches with adjustable tongue gap

Item description/product images



Description

Material:

Housing and actuator die-cast zinc.
Flat seal rubber.
Tongue steel.

Version:

Housing and actuator trivalent passivated.
Wing-handle version powder-coated.
Tongue electro zinc-plated.

Note:

Compression latches are primarily used for doors and housings that require a high pressure on the seal. Right or left deployment. The locking direction is always clockwise.

Vibration-proof, water and dust tight according to IP65.

Please order the desired tongue type separately. Every tongue can be combined with every housing.

Function:

Turning the actuator 90° brings the tongue into the closed position. Turning the actuator another 90° draws the tongue into the frame increasing the pressure. The compression gap is 6 mm. The fastening nut is an earthing nut with teeth one side. The offset tongue can be installed positive or negative.

Accessory:

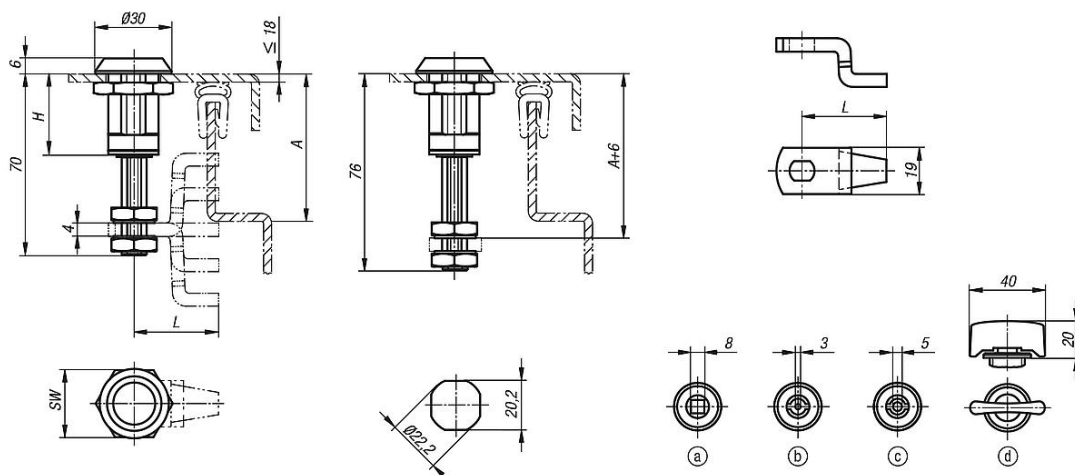
Key K0535

Drawing reference:

Actuation:

- a) square 8 mm
- b) double lug 3 mm
- c) double lug 5 mm
- d) toggle

Drawings



Compression latches with adjustable tongue gap

Overview of items

Compression latches with adjustable tongue gap

Order No.	Actuation	SW	H
K0531.18321	square 8 mm	27	32
K0531.43321	double lug 3 mm	27	32
K0531.45321	double lug 5 mm	27	32
K0531.30322	wing grip	27	32

Tongues for compression latches with adjustable tongue gap

Order No.	A	L
K0532.1000X590	40-59	33
K0532.1140X730	26-45 / 52-73	33
K0532.1275X860	12-32 / 68-86	33