

Levelling feet plates steel or stainless steel

Item description/product images



Description

Material:

Plate steel or stainless steel 1.4301.

Version:

Steel chrome-plated.
Stainless steel polished.

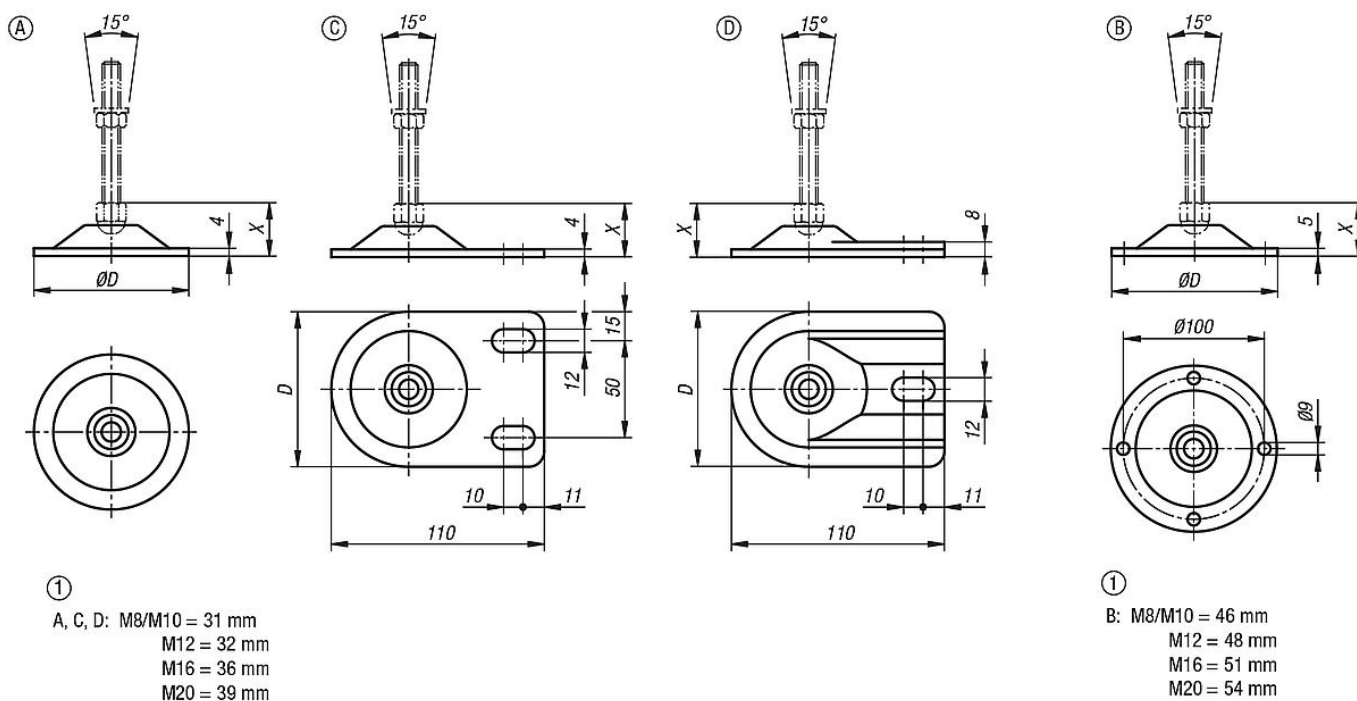
Note:

Levelling feet consist of a plate and a threaded spindle.
Any plate can be combined with any threaded spindle.
For matching threaded spindles, see K0669.

Drawing reference:

1) X with spindle size:

Drawings



Overview of items

Levelling feet plates steel or stainless steel

| Order No. steel | Order No. stainless steel | Form | D | Load rating max. kN |
|-----------------|---------------------------|------|-----|---------------------|
| K0672.10801 | K0672.10802 | A | 80 | 20 |
| K0672.21251 | K0672.21252 | B | 125 | 40 |
| K0672.30801 | K0672.30802 | C | 80 | 20 |
| K0672.40801 | K0672.40802 | D | 80 | 20 |

