

Palm grips soft

Item description/product images



Description

Material:

Body hard thermoplastic.
Coating soft thermoplastic.
Bush or screw steel 5.8.

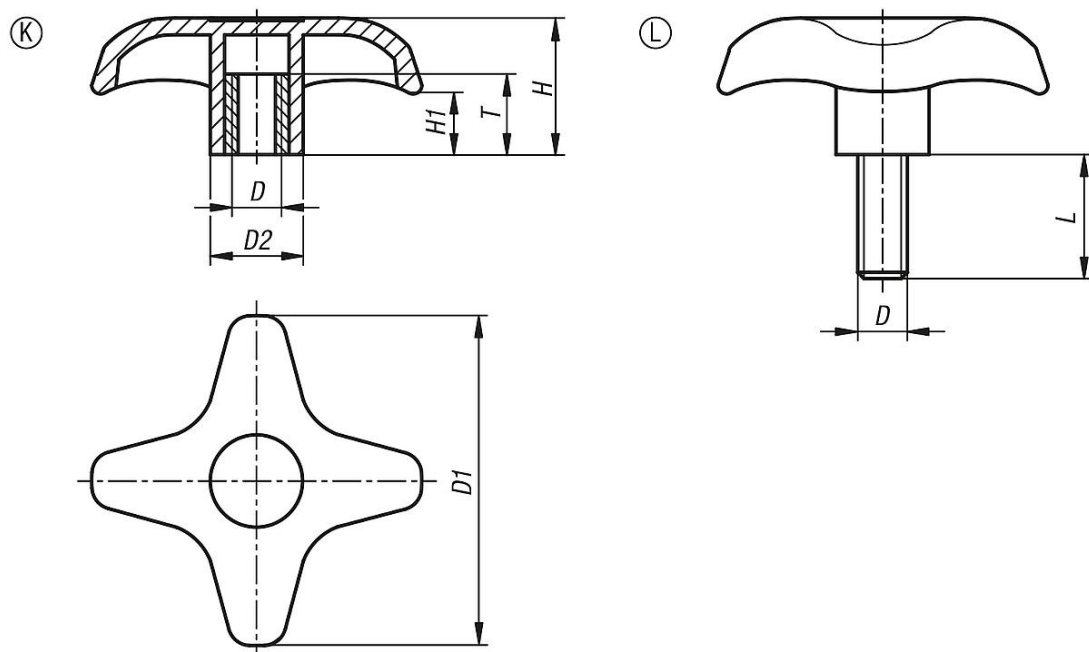
Version:

Body and coating black.
Bush and screw electro zinc-plated.

Note:

Palm grips with a soft gripping surface combine the stability of standard thermoplastic grips with the pleasant feel of the soft surface.
The soft coating creates a sympathetic, non-slip surface allowing higher clamping forces while protecting the hand.

Drawings



Overview of items

Order No.	Form	D	D1	D2	H	H1	T	L
K0613.5108	K	M8	51	15	22	10	13	-
K0613.5110	K	M10	51	15	22	10	13	-
K0613.7608	K	M8	76	19,5	28	13,5	20	-
K0613.7610	K	M10	76	19,5	28	13,5	20	-
K0613.7612	K	M12	76	19,5	28	13,5	20	-
K0613.5108X20	L	M8	51	15	23	10	-	20
K0613.5108X40	L	M8	51	15	23	10	-	40
K0613.5110X20	L	M10	51	15	23	10	-	20
K0613.5110X40	L	M10	51	15	23	10	-	40
K0613.7608X20	L	M8	76	19,5	30	13,5	-	20
K0613.7608X40	L	M8	76	19,5	30	13,5	-	40
K0613.7610X20	L	M10	76	19,5	30	13,5	-	20
K0613.7610X40	L	M10	76	19,5	30	13,5	-	40

Palm grips soft

Overview of items

Order No.	Form	D	D1	D2	H	H1	T	L
K0613.7612X20	L	M12	76	19,5	30	13,5	-	20
K0613.7612X30	L	M12	76	19,5	30	13,5	-	30
K0613.7612X40	L	M12	76	19,5	30	13,5	-	40