

## Cam levers, steel, adjustable with external thread, plastic thrust washer and steel stud

Item description/product images



### Description

#### Material:

Handle steel 1.0401.  
 Thrust washer plastic PA 66 GF 35-X fibreglass reinforced.  
 Hinge pin stainless steel 1.4305.  
 Stud and washer steel, grade 5.8.

#### Version:

Handle, stud and washer trivalent blue-passivated.  
 Thrust washer black.  
 Hinge pin bright.

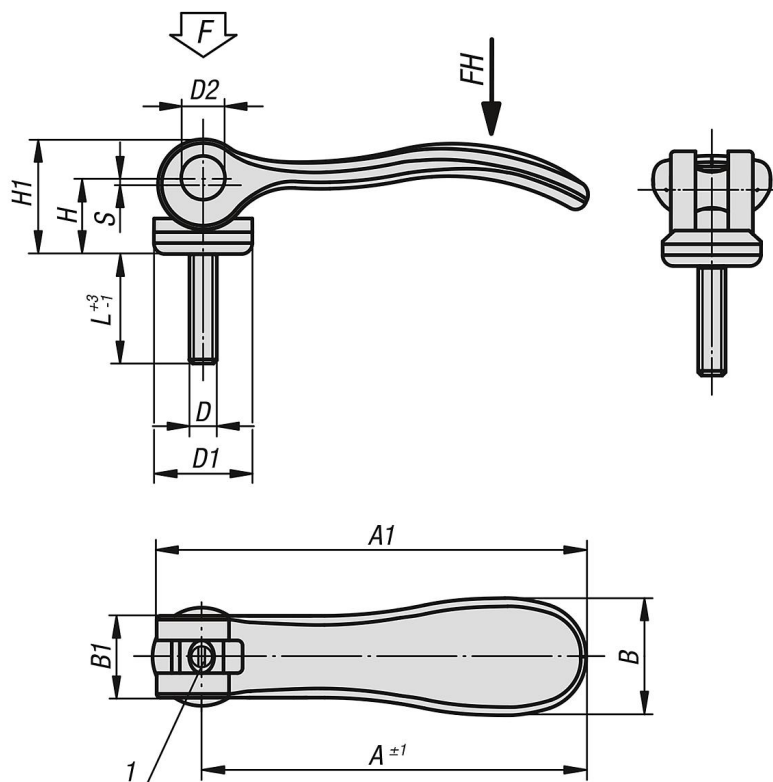
#### Note:

Adjustable cam levers are used if the position of the lever relative to the axis of tension only permits one specific position (interference circle). The exact position of the lever is adjusted using a screwdriver on the fine thread setscrew.  
 Plastics are subject to creeping under load (retardation).

#### Drawing reference:

1) setscrew for fine ?adjustment of lever

### Drawings



### Overview of items

Cam levers, adjustable, male thread, steel

## Cam levers, steel, adjustable with external thread, plastic thrust washer and steel stud

### Overview of items

Order No.	D	D1	D2	B	B1	H	H1	A	A1	L	Travel S	Clamping force F (kN)	Hand force FH N
K0789.1502205X20	M5	18,1	9	21,5	15	14,5	22	70,4	79,2	20	1,2	4	120
K0789.1502205X30	M5	18,1	9	21,5	15	14,5	22	70,4	79,2	30	1,2	4	120
K0789.1502205X40	M5	18,1	9	21,5	15	14,5	22	70,4	79,2	40	1,2	4	120
K0789.1502205X50	M5	18,1	9	21,5	15	14,5	22	70,4	79,2	50	1,2	4	120
K0789.1502206X20	M6	18,1	9	21,5	15	14,5	22	70,4	79,2	20	1,2	4	120
K0789.1502206X30	M6	18,1	9	21,5	15	14,5	22	70,4	79,2	30	1,2	4	120
K0789.1502206X40	M6	18,1	9	21,5	15	14,5	22	70,4	79,2	40	1,2	4	120
K0789.1502206X50	M6	18,1	9	21,5	15	14,5	22	70,4	79,2	50	1,2	4	120
K0789.2502208X25	M8	27,1	11	33,2	24	18	28,5	96	108	25	1,5	8	350
K0789.2502208X30	M8	27,1	11	33,2	24	18	28,5	96	108	30	1,5	8	350
K0789.2502208X40	M8	27,1	11	33,2	24	18	28,5	96	108	40	1,5	8	350
K0789.2502208X50	M8	27,1	11	33,2	24	18	28,5	96	108	50	1,5	8	350
K0789.2502210X25	M10	27,1	11	33,2	24	18	28,5	96	108	25	1,5	8	350
K0789.2502210X30	M10	27,1	11	33,2	24	18	28,5	96	108	30	1,5	8	350
K0789.2502210X40	M10	27,1	11	33,2	24	18	28,5	96	108	40	1,5	8	350
K0789.2502210X50	M10	27,1	11	33,2	24	18	28,5	96	108	50	1,5	8	350