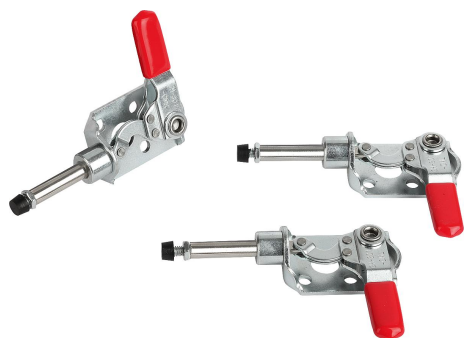


# Toggle clamps mini push-pull

## Item description/product images



### Description

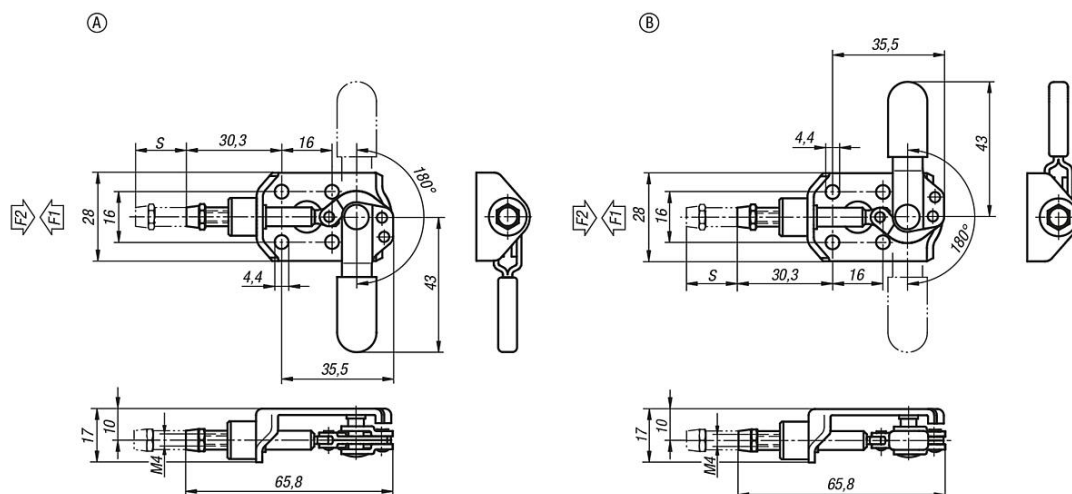
**Material:**  
Steel.

**Version:**  
Trivalent passivated.  
Plastic grip oil resistant.

**Note:**  
Push-pull toggle clamps with very low profile. As the clamps lock in the open and closed handle positions, they can be used to clamp when pushing or pulling.

**Drawing reference:**  
Form A: Thrust exerted by rotating handle to the right  
Form B: Thrust exerted by rotating handle to the left

## Drawings



## Overview of items

Order No.	Form	Travel S	Retaining force F2 N	Retaining force F1 N
K0745.10050	A	16	500	500
K0745.20050	B	16	500	500