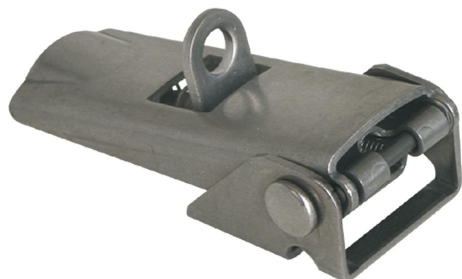


## Latches adjustable, fastening holes covered, Form C

### Item description/product images

---



### Description

**Material:**

Steel or stainless steel 1.4301.

**Version:**

Steel trivalent blue passivated.

Stainless steel bright.

**Note:**

Adjustable latches are secure locking systems for industrial applications. By exceeding the dead centre they resist vibration.

After the hook is engaged with the catch plate, the parts to be locked can be drawn together by up to 5 mm by pushing the lever down.

To compensate for tolerances or to create enough tension, the hook length can be adjusted using the M5 threaded spindle.

The latches can be screwed down or riveted.

Any catch plate can be combined with any latch.

Order required catch plate version separately.

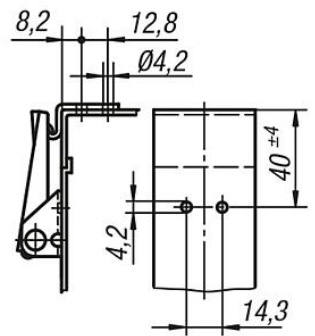
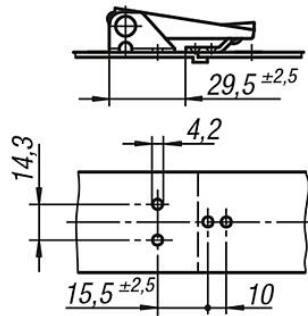
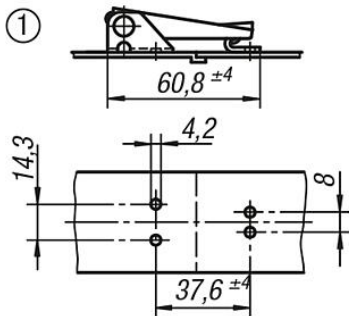
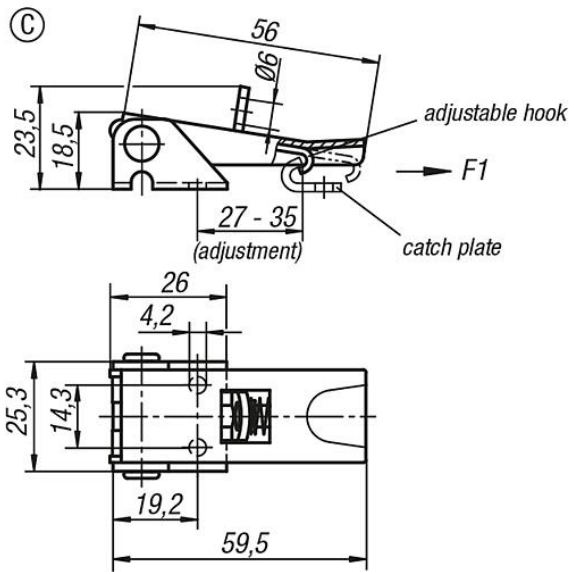
The retaining force  $F_1$  applies to the latch, not the catch plate.

**Drawing reference:**

Form C with padlock hole

Latches adjustable, fastening holes covered, Form C

Drawings



Overview of items

Fasteners Adjustable, screw-on holes covered

Order No.	Main material	Form	Retaining force F1 N
K0047.3420601	steel	C	1000
K0047.3420602	stainless steel	C	1000