

# Ball knobs thermoplastic DIN 319 enhanced, Form E, with tapped bush

## Item description/product images



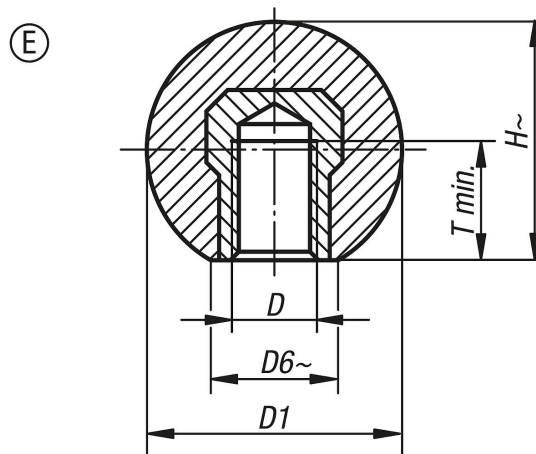
## Description

**Material:**  
Black thermoplastic.  
Bush steel.

**Version:**  
Steel electro zinc-plated.

**On request:**  
Other colours.

## Drawings



## Overview of items

Order No.	Form	D	D1	D6	H	T
K0158.22005	E	M5	20	12	18	7,5
K0158.22006	E	M6	20	12	18	7,5
K0158.22506	E	M6	25	15	22,5	9
K0158.22508	E	M8	25	15	22,5	9
K0158.23208	E	M8	32	18	29	12
K0158.23210	E	M10	32	18	29	12