

# Disc handwheels with revolving grip, steel parts stainless steel, Form E, with reamed hole

Item description/product images



## Description

### Material:

Black thermoset PF 31.

Hub and revolving grip 1.4305 stainless steel bright.

### Version:

High-gloss polished.

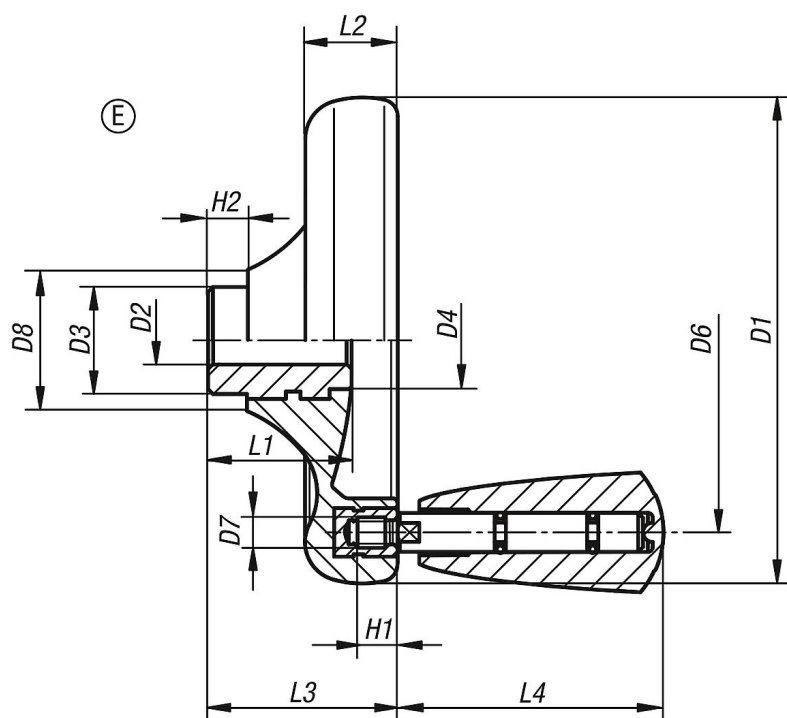
### Note:

The handwheel is supplied with the grip loose.

### On request:

Other reamed hole sizes.

## Drawings



## Overview of items

Order No.	Form	Form definition	Steel parts material	D1	D2	D3	D4	D6	D7	D8	H1	H2	L1	L2	L3	L4
K0164.3100X10	E	with reamed hole	stainless steel 1.4305	100	10H7	22	20	79	M6	29	9	8	29,5	19	39	54,7
K0164.3125X12	E	with reamed hole	stainless steel 1.4305	125	12H7	26	21	101	M6	34	9	8	34	24	46	54,7
K0164.3140X14	E	with reamed hole	stainless steel 1.4305	140	14H7	30	25	110	M8	39	12	8	38,5	27	52	82,2
K0164.3160X16	E	with reamed hole	stainless steel 1.4305	160	16H7	33	30	128	M8	43	12	8	41,3	30,1	57	82,2
K0164.3160X18	E	with reamed hole	stainless steel 1.4305	160	18H7	33	30	128	M8	43	12	8	41,3	30,1	57	82,2

**Disc handwheels with revolving grip, steel parts stainless steel, Form E,  
with reamed hole**

Overview of items

---