

# Self-aligning pads, Form F, with external thread, flattened ball, diamond grip

Item description/product images



## Description

### Material:

Body carbon steel, ball ball-bearing steel 1.2067.

### Version:

Body tempered and phosphated.

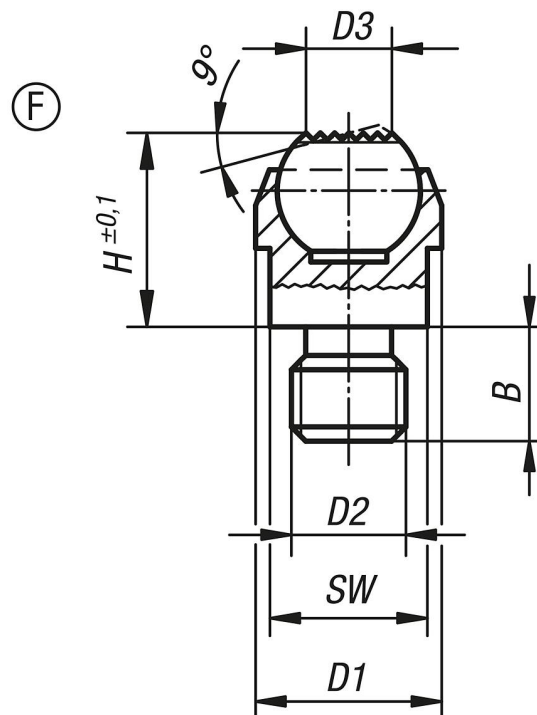
Ball hardened.

### Note:

Self-aligning pads serve as stops, supports and thrust pads in fixture constructions.

Ball secured against rotation.

## Drawings



## Overview of items

Order No.	Form	B	D1	D2	D3	H	Ball-Ø	SW	Load rating max. kN (static load only)
K0282.308	F	8	13	M8	7,2	13	10	11	10
K0282.310	F	10	20	M10	10,5	18	16	17	25
K0282.312	F	12	20	M12	10,5	18	16	17	25
K0282.316	F	16	30	M16	20	27	25	27	90

# Self-aligning pads, Form F, with external thread, flattened ball, diamond grip

## Overview of items

Order No.	Form	B	D1	D2	D3	H	Ball-Ø	SW	Load rating max. kN (static load only)
K0282.320	F	20	50	M20	34,5	35	40	41	165