

## Indexing plungers, steel or stainless steel, short version with plastic mushroom grip and locknut

Item description/product images



### Description

#### Material:

Steel version

Indexing pin hardened:  
grade 5.8

Stainless steel version

Indexing pin not hardened:  
Threaded sleeve 1.4305.  
Indexing pin 1.4305.

Mushroom grip thermoplastic, black-grey or traffic red RAL 3020.

#### Version:

Steel version:

Indexing pin hardened, ground, black oxidised.

Stainless steel version:

Indexing pin not hardened, ground, bright.

#### Note:

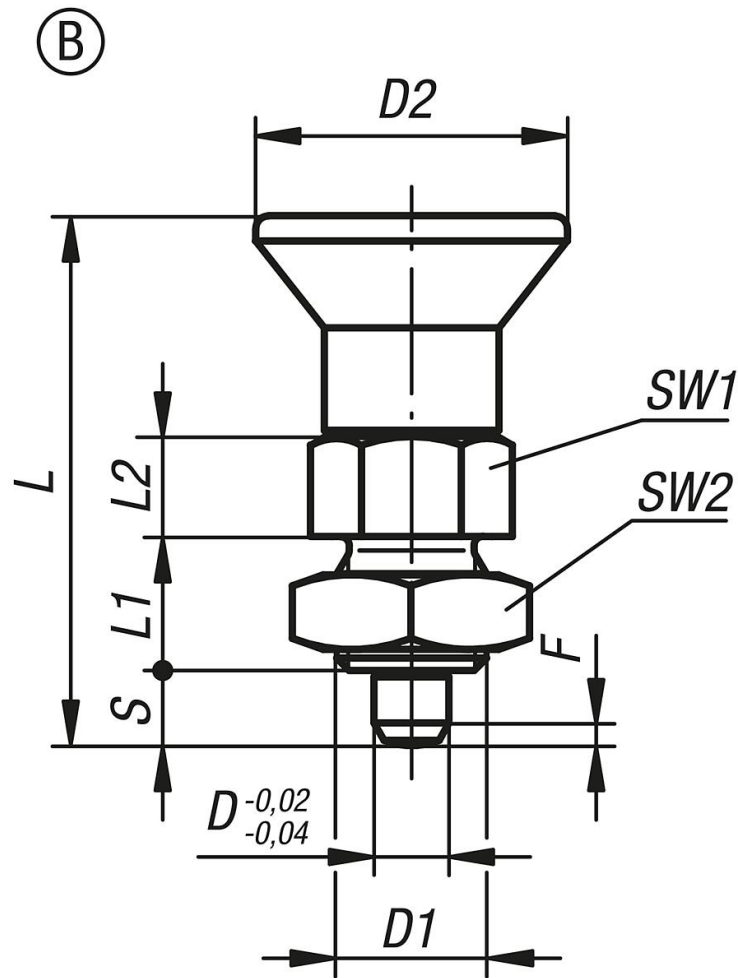
Indexing plungers are used to prevent any change in position due to lateral forces. A new locking position can only be set after the pin has been manually disengaged. Form C or D is recommended for applications in which the pin is disengaged over extended periods and should be prevented from springing back.

#### On request:

Special versions.

**Indexing plungers, steel or stainless steel, short version with plastic mushroom grip and locknut**

Drawings



**Overview of items**

Order No.	Form	Main material	Surface finish body	Component colour	D	D1	D2	L	L1	L2	Travel S	SW1	SW2	Fx30°	Spring force initial pressure F1 approx. N	Spring force final pressure F2 approx. N
K0631.6903	B	steel	hardened	black grey RAL 7021	3	M6x0,75	14	25,5	6	5	3,5	8	10	0,8	4	10
K0631.6004	B	steel	hardened	black grey RAL 7021	4	M8x1	18	29,5	6	6	4	10	13	1	4	12
K0631.6105	B	steel	hardened	black grey RAL 7021	5	M10x1	21	34,5	8	7	5	13	17	1,3	5	12
K0631.6206	B	steel	hardened	black grey RAL 7021	6	M12x1,5	25	41,7	10	8	6	14	19	1,8	6	14
K0631.6308	B	steel	hardened	black grey RAL 7021	8	M16x1,5	33	54	12	10	8	19	24	2,3	14	28
K0631.6410	B	steel	hardened	black grey RAL 7021	10	M20x1,5	33	61	15	12	10	22	30	2,8	15	32
K0631.690384	B	steel	hardened	traffic red RAL 3020	3	M6x0,75	14	25,5	6	5	3,5	8	10	0,8	4	10
K0631.600484	B	steel	hardened	traffic red RAL 3020	4	M8x1	18	29,5	6	6	4	10	13	1	4	12
K0631.610584	B	steel	hardened	traffic red RAL 3020	5	M10x1	21	34,5	8	7	5	13	17	1,3	5	12
K0631.620684	B	steel	hardened	traffic red RAL 3020	6	M12x1,5	25	41,7	10	8	6	14	19	1,8	6	14
K0631.630884	B	steel	hardened	traffic red RAL 3020	8	M16x1,5	33	54	12	10	8	19	24	2,3	14	28
K0631.641084	B	steel	hardened	traffic red RAL 3020	10	M20x1,5	33	61	15	12	10	22	30	2,8	15	32
K0631.16903	B	stainless steel	not hardened	black grey RAL 7021	3	M6x0,75	14	25,5	6	5	3,5	8	10	0,8	4	10
K0631.16004	B	stainless steel	not hardened	black grey RAL 7021	4	M8x1	18	29,5	6	6	4	10	13	1	4	12
K0631.16105	B	stainless steel	not hardened	black grey RAL 7021	5	M10x1	21	34,5	8	7	5	13	17	1,3	5	12
K0631.16206	B	stainless steel	not hardened	black grey RAL 7021	6	M12x1,5	25	41,7	10	8	6	14	19	1,8	6	14
K0631.16308	B	stainless steel	not hardened	black grey RAL 7021	8	M16x1,5	33	54	12	10	8	19	24	2,3	14	28
K0631.16410	B	stainless steel	not hardened	black grey RAL 7021	10	M20x1,5	33	61	15	12	10	22	30	2,8	15	32
K0631.1690384	B	stainless steel	not hardened	traffic red RAL 3020	3	M6x0,75	14	25,5	6	5	3,5	8	10	0,8	4	10
K0631.1600484	B	stainless steel	not hardened	traffic red RAL 3020	4	M8x1	18	29,5	6	6	4	10	13	1	4	12
K0631.1610584	B	stainless steel	not hardened	traffic red RAL 3020	5	M10x1	21	34,5	8	7	5	13	17	1,3	5	12
K0631.1620684	B	stainless steel	not hardened	traffic red RAL 3020	6	M12x1,5	25	41,7	10	8	6	14	19	1,8	6	14

# Indexing plungers, steel or stainless steel, short version with plastic mushroom grip and locknut

## Overview of items

Order No.	Form	Main material	Surface finish body	Component colour	D	D1	D2	L	L1	L2	Travel S	SW1	SW2	Fx30°	Spring force initial pressure F1 approx. N	Spring force final pressure F2 approx. N
<b>K0631.1630884</b>	B	stainless steel	not hardened	traffic red RAL 3020	8	M16x1,5	33	54	12	10	8	19	24	2,3	14	28
<b>K0631.1641084</b>	B	stainless steel	not hardened	traffic red RAL 3020	10	M20x1,5	33	61	15	12	10	22	30	2,8	15	32