

Mounting brackets, Form B

Item description/product images



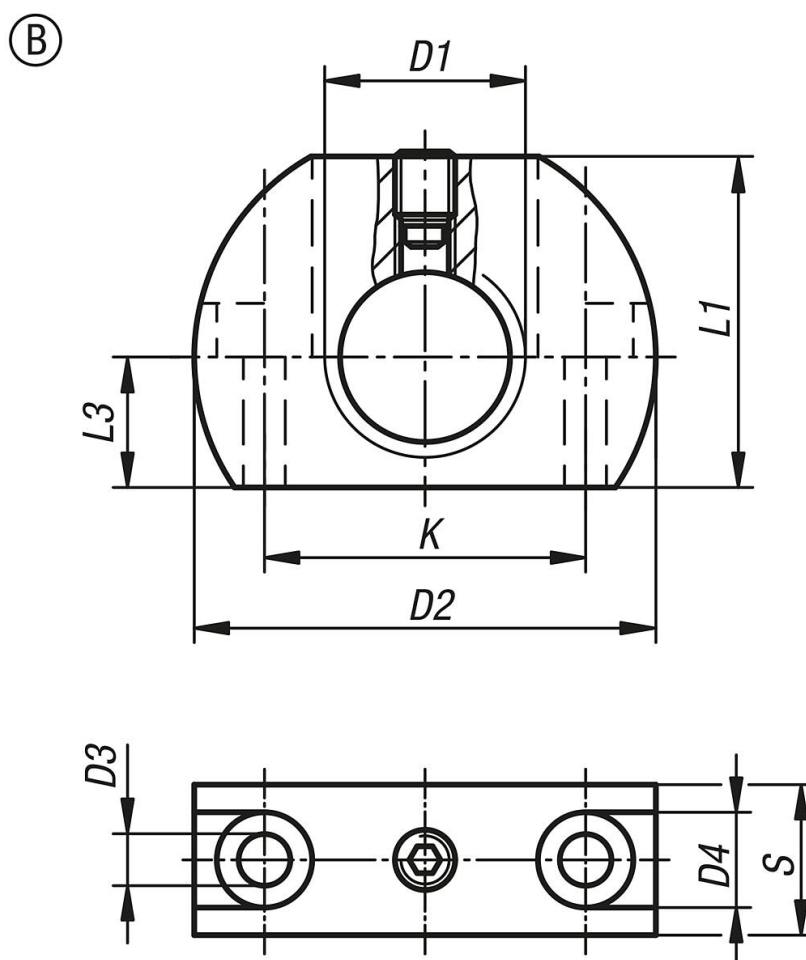
Description

Material:
Steel.

Version:
Black oxidised.

Note:
These mounting brackets are assembly aids for cam-action indexing plungers and extend their application field. They can also be used with other indexing plungers or other elements that have a suitable thread. Fastened using cap screws.

Drawings



Overview of items

Order No.	Form	D1	D2	D3	D4	K	L1	L3	S
K0638.212	B	M12	36	5,5	10	24	25	10	12
K0638.2121	B	M12x1,5	36	5,5	10	24	25	10	12
K0638.216	B	M16	46	5,5	10	32	33	13	15
K0638.2161	B	M16x1,5	46	5,5	10	32	33	13	15

Mounting brackets, Form B

Overview of items

Order No.	Form	D1	D2	D3	D4	K	L1	L3	S
K0638.220	B	M20	46	5,5	10	32	33	13	15
K0638.2201	B	M20x1,5	46	5,5	10	32	33	13	15