

Round grippers, form F

Item description/product images



Description

Material, version:

Form F tool steel, hardened, black oxide.

Note:

Grippers and inserts are ideal for use in clamping arms, gripping systems, clamping fixtures, clamping jaws and self-aligning pads. Grippers transfer very high torque values and above average holding forces, even on hard materials and surface irregularities.

Grippers and inserts can be fitted in the following self-aligning pads:

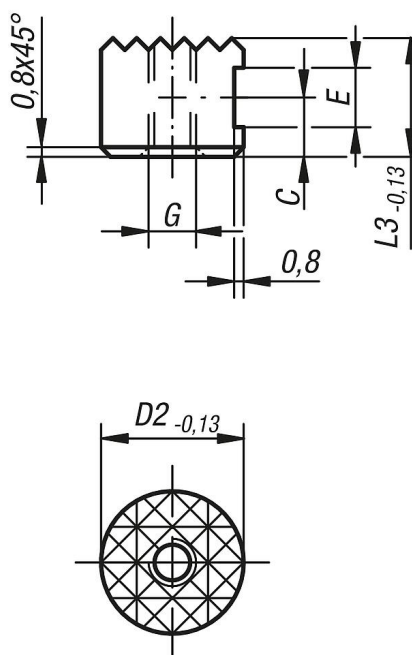
Order No. K0285.117X022 up to K0285.936X036

Order No. K0289.110X015 up to K0289.924X100

Order No. K0291.120X030 up to K0291.924X080

Drawings

Form F
diamond grip insert



Overview of items

Order No.	Form	D2	L3	C	E	G
K0385.1010	F	10	10	4,5	4,75	M5
K0385.1210	F	12	10	4,5	4,75	M5
K0385.1212	F	12	12	6	4,75	M5
K0385.1610	F	16	10	4,5	4,75	M6
K0385.2010	F	20	10	4,5	4,75	M6
K0385.2510	F	25	10	4,5	4,75	M6

