

# Oil level sight glasses, Form B, with reflector

## Item description/product images



### Description

#### Material:

Housing in thermoplastic polyamide.

Plastic reflector.

#### Version:

Housing, transparent, high mechanical stability, non-ageing, temperature resistant with oil up to 90 °C, resistant to solvents but not to alcohol or frost.

Flat seal, asbestos-free.

Reflector white.

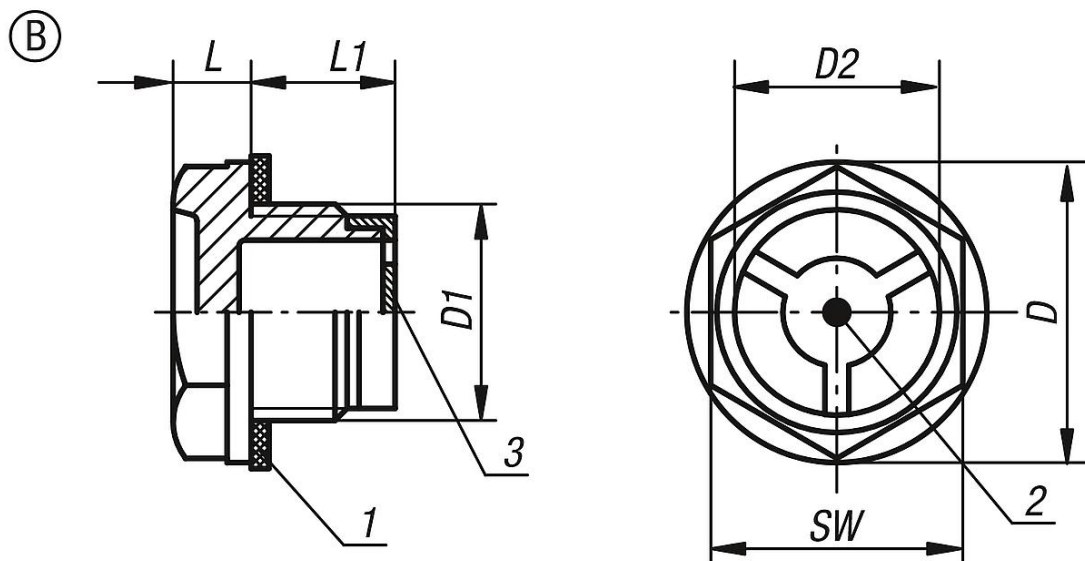
#### On request:

Rubber gasket (NBR).

#### Drawing reference:

- 1) flat seal
- 2) check mark
- 3) reflector

## Drawings



## Overview of items

Order No.	Form	D	D1	D2	L	L1	SW	Tightening torque max. Nm
K0445.222038	B	22	G3/8	12	6,5	12	18	7
K0445.228012	B	28	G1/2	16	8	12	24	15
K0445.235034	B	36	G3/4	21	8,5	13,5	30	20
K0445.243100	B	42	G1	30	9	16	36	25
K0445.251114	B	51	G1 1/4	32	10	17	42	-
K0445.258112	B	58	G1 1/2	39	10	21	50	-
K0445.274200	B	74	G2	48	12	20	64	-
K0445.2221615	B	22	M16X1,5	12	6,5	12,5	18	7
K0445.2251815	B	25,5	M18X1,5	14	6	12,5	21	10
K0445.2282015	B	28	M20X1,5	16	7,5	12	24	15
K0445.2282215	B	28	M22X1,5	16	7,5	12,5	24	15

**Oil level sight glasses, Form B, with reflector****Overview of items**

Order No.	Form	D	D1	D2	L	L1	SW	Tightening torque max. Nm
<b>K0445.2362615</b>	B	36	M26X1,5	21	8,5	13,5	30	20
<b>K0445.2362715</b>	B	36	M27X1,5	21	8,5	13,5	30	20
<b>K0445.2514015</b>	B	51	M40X1,5	32	10	17	42	-