

# Lateral spring plungers with threaded sleeve, without thrust pin, Form B, with seal

Item description/product images

METRIC  
Parts



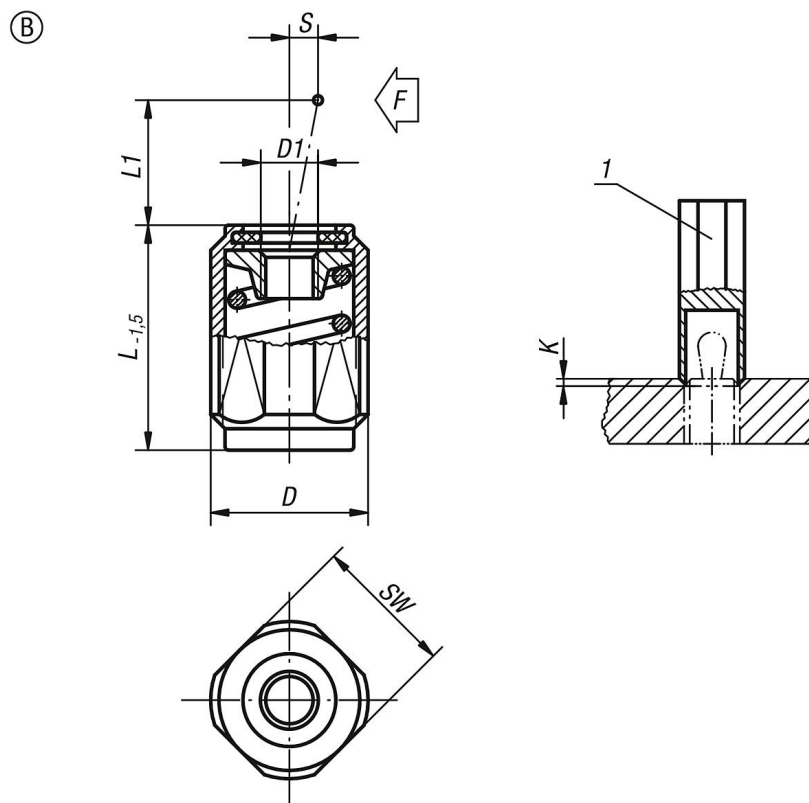
## Description

**Material:**  
Steel.

**Version:**  
Sleeve blue electro zinc-plated.  
Washer, hardened and burnished.

**Note:**  
Depending on the circumstances, the pressure pin can be fabricated by the customer and screwed into the threaded hole of the receiving washer. Utilizing stroke (S) and the corresponding length (L), lateral pressure (F) can be achieved. In addition, Form B is equipped with a seal to prevent chips and dirt from entering.

## Drawings



## Overview of items

### Lateral spring plungers with threaded sleeve, without thrust pin, Form A, without seal

Order No.	Form	D	D1	K	L	L1	±S	SW	F ca.N	Order No. assembly tool
K0372.2020X12	B	M12	M4	2x60°	11,5	4	1,6	10	20	K0371.06
K0372.2020X20	B	M12	M4	2x60°	19	4	1,6	10	20	K0371.06
K0372.2020X27	B	M12	M4	2x60°	26,5	4	1,6	10	20	K0371.06
K0372.2040X12	B	M12	M4	2x60°	11,5	7,5	2	10	40	K0371.06

# Lateral spring plungers with threaded sleeve, without thrust pin, Form B, with seal

## Overview of items

Order No.	Form	D	D1	K	L	L1	±S	SW	F ca.N	Order No. assembly tool
K0372.2040X20	B	M12	M4	2x60°	19	7,5	2	10	40	K0371.06
K0372.2040X27	B	M12	M4	2x60°	26,5	7,5	2	10	40	K0371.06
K0372.2050X12	B	M12	M4	2x60°	11,5	4	1,6	10	50	K0371.06
K0372.2050X20	B	M12	M4	2x60°	19	4	1,6	10	50	K0371.06
K0372.2050X27	B	M12	M4	2x60°	26,5	4	1,6	10	50	K0371.06
K0372.2075X12	B	M12	M4	2x60°	11,5	7,5	2	10	75	K0371.06
K0372.2075X20	B	M12	M4	2x60°	19	7,5	2	10	75	K0371.06
K0372.2075X27	B	M12	M4	2x60°	26,5	7,5	2	10	75	K0371.06
K0372.2100X12	B	M12	M4	2x60°	11,5	4	1,6	10	100	K0371.06
K0372.2100X20	B	M12	M4	2x60°	19	4	1,6	10	100	K0371.06
K0372.2100X27	B	M12	M4	2x60°	26,5	4	1,6	10	100	K0371.06
K0372.2150X12	B	M12	M4	2x60°	11,5	7,5	2	10	100	K0371.06
K0372.2150X20	B	M12	M4	2x60°	19	7,5	2	10	100	K0371.06
K0372.2150X27	B	M12	M4	2x60°	26,5	7,5	2	10	100	K0371.06
K0372.2100X16	B	M18X1,5	M6	2,5x60°	18	11,5	3,2	16	100	K0371.10
K0372.2100X29	B	M18X1,5	M6	2,5x60°	31,5	11,5	3,2	16	100	K0371.10
K0372.2100X43	B	M18X1,5	M6	2,5x60°	45	11,5	3,2	16	100	K0371.10
K0372.2200X16	B	M18X1,5	M6	2,5x60°	18	11,5	3,2	16	150	K0371.10
K0372.2200X29	B	M18X1,5	M6	2,5x60°	31,5	11,5	3,2	16	150	K0371.10
K0372.2200X43	B	M18X1,5	M6	2,5x60°	45	11,5	3,2	16	150	K0371.10
K0372.2300X16	B	M18X1,5	M6	2,5x60°	18	11,5	3,2	16	200	K0371.10
K0372.2300X29	B	M18X1,5	M6	2,5x60°	31,5	11,5	3,2	16	200	K0371.10
K0372.2300X43	B	M18X1,5	M6	2,5x60°	45	11,5	3,2	16	200	K0371.10