

Vent screws with dipstick, Form B, with air filter

Item description/product images



Description

Material:

Housing and cap thermoplastic polyamide 66.
Air filter polyurethane (PU foam).
Dipstick zinc.
O-ring NBR, Shore 70.

Version:

Housing black.
Cap red.
Filter mesh 50 μm .
Dipstick phosphated.

Note:

The removable cap allows easy cleaning of the air filter.

Form A: without air filter

Form B: with air filter

Temperature range:

Temperature resistant with oil up to 100°C.

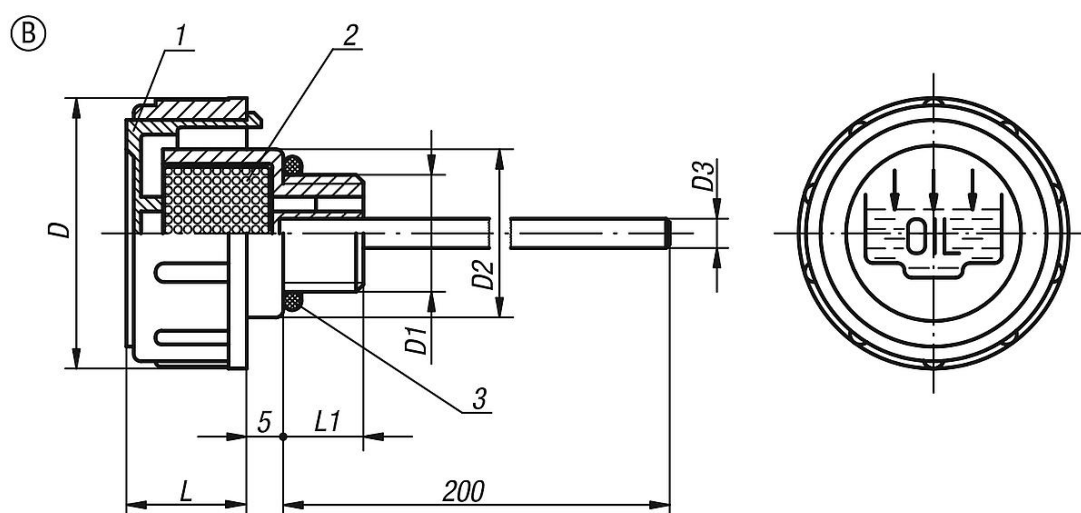
On request:

Min-Max markings.

Drawing reference:

- 1) cap
- 2) air filter
- 3) O-ring

Drawings



Overview of items

Order No.	Form	D	D1	D2	D3	L	L1
K0465.236038	B	36	G3/8	23	4	17	11
K0465.241012	B	41	G1/2	28	4	18	12

Vent screws with dipstick, Form B, with air filter

Overview of items

Order No.	Form	D	D1	D2	D3	L	L1
K0465.247034	B	47	G3/4	33	5	17	12
K0465.252100	B	52	G1	38	5	20	12
K0465.263114	B	63	G1 1/4	49	5	23	13
K0465.263112	B	63	G1 1/2	55	5	23	13,5
K0465.2361615	B	36	M16x1,5	23	4	17	11
K0465.2411815	B	41	M18x1,5	28	4	17,5	12
K0465.2412015	B	41	M20x1,5	28	4	17,5	12
K0465.2412215	B	41	M22x1,5	28	4	17,5	12