

Levelling feet plates, plastic, Form B

Item description/product images



Description

Material:

Plates, thermoplastic, fibreglass reinforced.
Anti-slip plate thermoplastic elastomer.

Version:

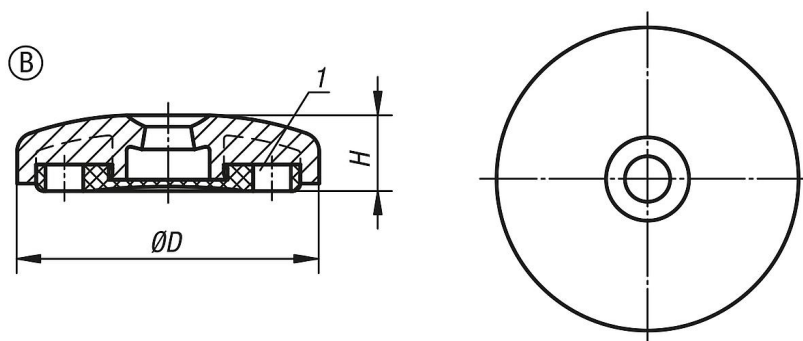
Black.

Note:

Levelling feet consist of a plate and a threaded spindle. Any plate can be combined with any threaded spindle.

The anti-slip plate absorbs vibrations and prevents the levelling foot slipping.
For matching threaded spindles see K0427.

Drawings



Overview of items

Levelling feet plates plastic

Order No.	Form	D	H	Load rating max. kN
K0423.2060	B	60	20	12
K0423.2080	B	80	20	12
K0423.2100	B	100	20	12