

Levelling foot plates, plastic, heavy-duty version, Form C

Item description/product images



Description

Material:

Plates, thermoplastic, glass-fibre reinforced.

Version:

Black.

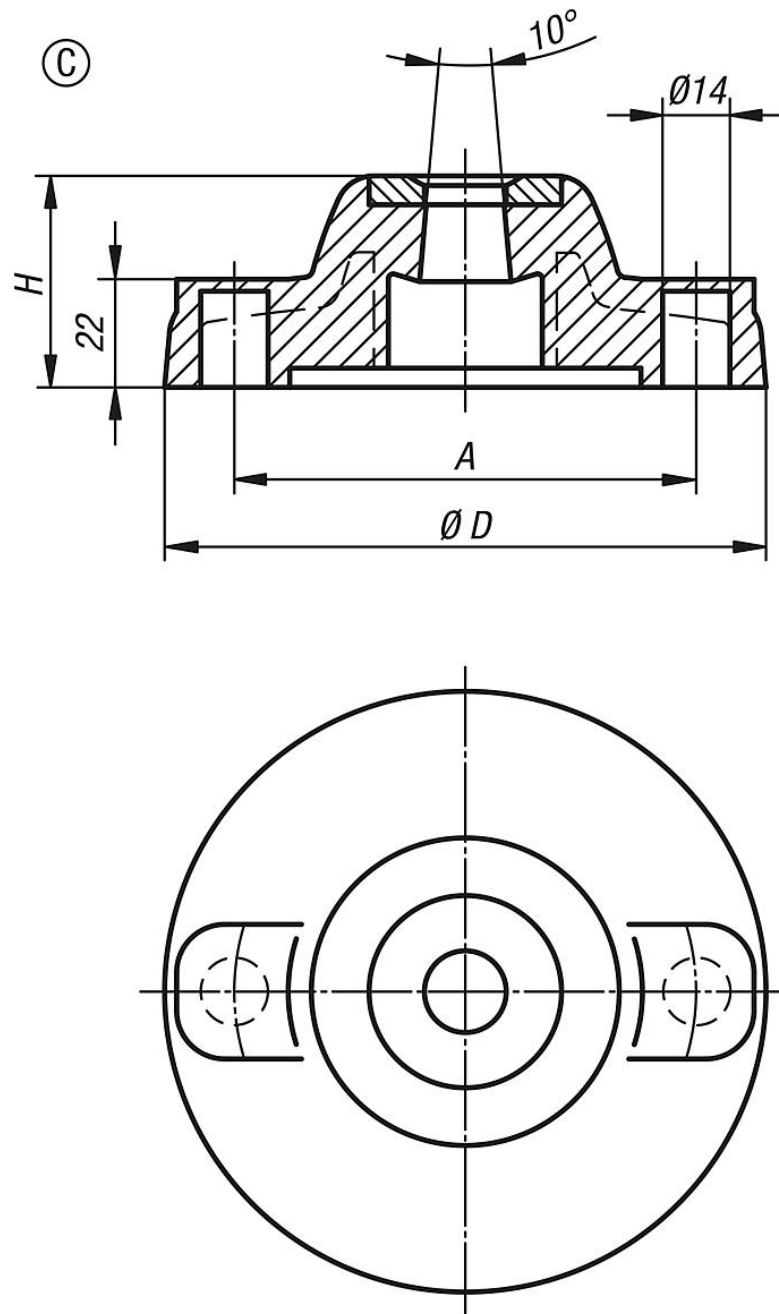
Note:

Levelling feet consist of a plate and a threaded spindle. Any plate can be combined with any threaded spindle.

For matching threaded spindles, see K0427.

Levelling feet plates, plastic, heavy-duty version, Form C

Drawings



Overview of items

Order No.	Form	D	A	H	Load rating max. kN
K0424.31251	C	125	96	44	18
K0424.31751	C	175	135	45	25

