

## Toggle clamps horizontal with safety interlock with straight foot and adjustable clamping spindle, stainless steel

Item description/product images



### Description

#### Material:

Stainless steel.  
Grip polyamide.  
Unlocking bracket TPE.

#### Version:

Bright.  
Grip blue, black or red.

#### Note:

Maintenance-free high quality link bushings. Sustainable constant force during opening and closing. Optimum stability through the conical, U-profile clamping arm. Including internal bar lock with automatic safety catch.

#### On request:

Other grip colours.

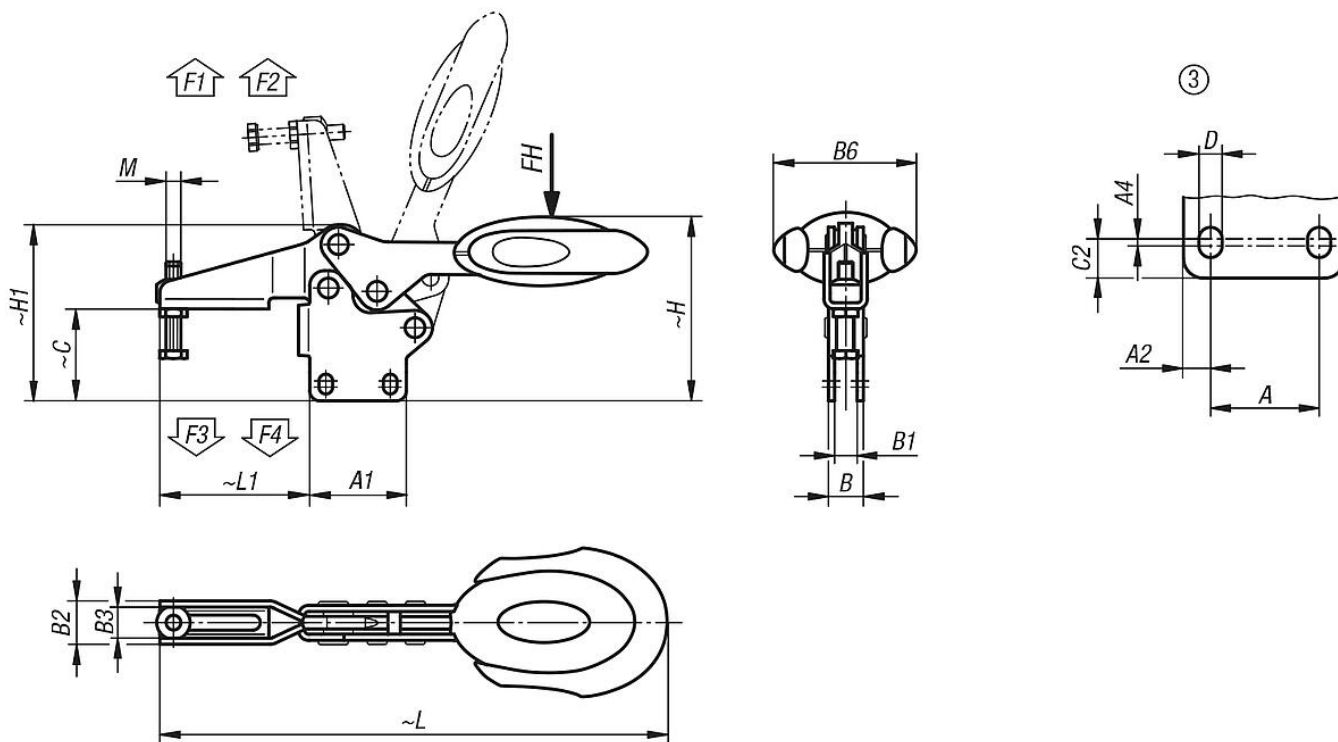
#### Accessory:

K0106  
K0384  
K0390  
K0392  
K0667



**Toggle clamps horizontal with safety interlock with straight foot and adjustable clamping spindle, stainless steel**

Drawings



**Overview of items**

**Toggle clamps horizontal with safety interlock with straight foot and adjustable clamping spindle, stainless steel**

Order No.	Component colour	hole arrangement	Opening angle of holding arm	Opening angle of handle	Hand force FH N	Retaining force F1 N	Retaining force F2 N	Clamping force F3 N	Clamping force F4 N
K0661.106101	ultramarine RAL 5002	3	86°	67°	160	1350	1900	720	1200
K0661.108101	ultramarine RAL 5002	3	86°	67°	200	2000	2800	830	1400
K0661.106100	black grey RAL 7021	3	86°	67°	160	1350	1900	720	1200
K0661.108100	black grey RAL 7021	3	86°	67°	200	2000	2800	830	1400
K0661.106103	traffic red RAL 3020	3	86°	67°	160	1350	1900	720	1200
K0661.108103	traffic red RAL 3020	3	86°	67°	200	2000	2800	830	1400

Order No.	Component colour	M	A	A1	A2	A4	B	B1	B2	B3	B6	C	C2	D	H	H1	L	L1
K0661.106101	ultramarine RAL 5002	M6x35	26	39	6,5	2,5	14,1	9,1	17,5	12,5	53,4	36,9	8	5,5	75,2	71	193,3	60,5
K0661.108101	ultramarine RAL 5002	M8x45	26	44	9	3,5	14,1	9,1	21	16	51,1	46,5	10,5	6,2	88,2	84,3	230,4	74,9
K0661.106100	black grey RAL 7021	M6x35	26	39	6,5	2,5	14,1	9,1	17,5	12,5	53,4	36,9	8	5,5	75,2	71	193,3	60,5
K0661.108100	black grey RAL 7021	M8x45	26	44	9	3,5	14,1	9,1	21	16	51,1	46,5	10,5	6,2	88,2	84,3	230,4	74,9
K0661.106103	traffic red RAL 3020	M6x35	26	39	6,5	2,5	14,1	9,1	17,5	12,5	53,4	36,9	8	5,5	75,2	71	193,3	60,5
K0661.108103	traffic red RAL 3020	M8x45	26	44	9	3,5	14,1	9,1	21	16	51,1	46,5	10,5	6,2	88,2	84,3	230,4	74,9