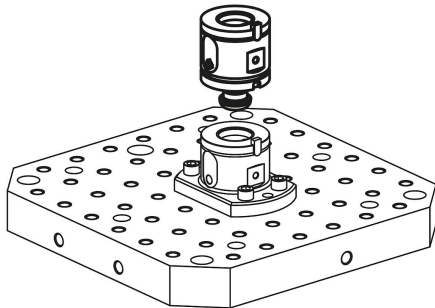


UNILOCK 5-axis add-on clamping module size 80 mm

Item description/product images



Description

Material:

Body Q&T steel.
Clamping pin mild steel.

Version:

Body and clamping pin oxidised.
Contact faces hardened and ground.

Note:

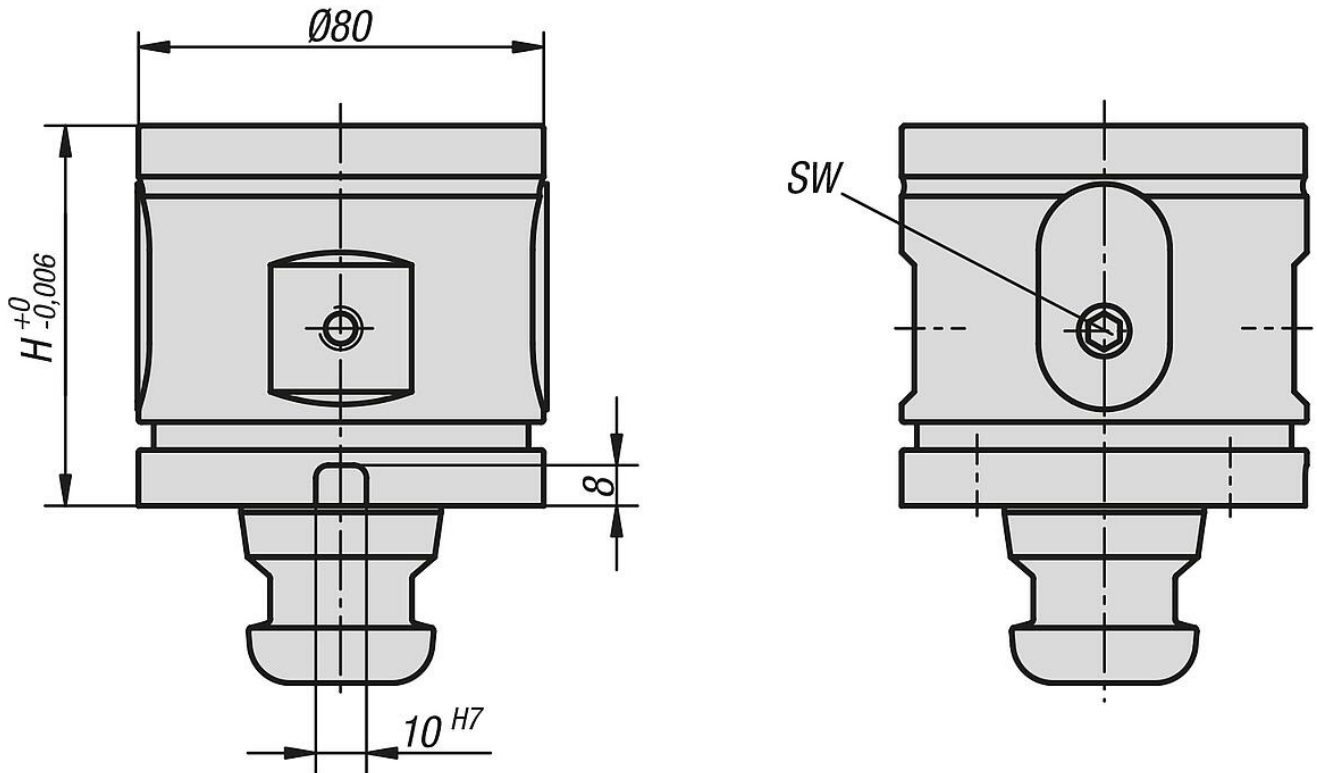
The UNILOCK 5-axis add-on modules are used for raising basic modules and mounting base. Depending on the clamping situation, optimum assembly height can be achieved using a combination of the basic module and add-on module.

On request:

With rotation lock

UNILOCK 5-axis add-on clamping module size 80 mm

Drawings



Overview of items

UNILOCK 5-axis add-on clamping module

Order No.	Form definition	H	SW	Tightening torque max. Nm	Retraction force kN	weight kg
K0963.120750	without rotation lock	75	6	15	15	2,64
K0963.121000	without rotation lock	100	6	15	15	3,78
K0963.121250	without rotation lock	125	6	15	15	4,625