

UNILOCK 5-axis clamping bolts for fastening to workpieces size 80 mm

Item description/product images

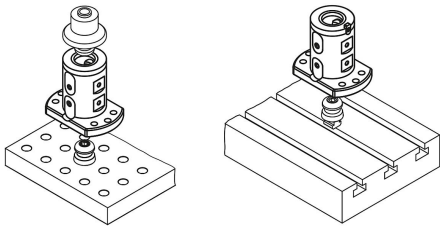


Description

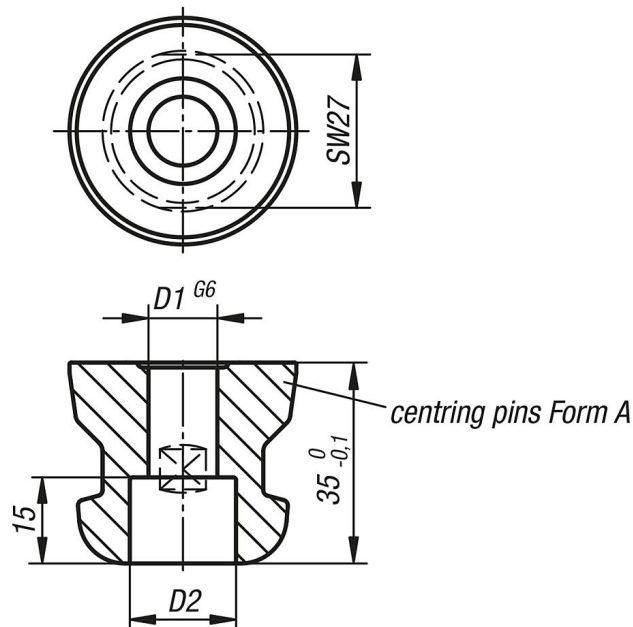
Material:
Steel.

Version:
Hardened and black oxidised.
Contact faces ground.

Note:
The UNILOCK clamping bolt is suitable for clamping and positioning the workpiece. Clamping bolts are screwed onto the workpiece and positioned on the basic module or add-on module. Using the locating bolts (K0970, K0971), the clamping bolts are screwed onto the workpiece.



Drawings



Overview of items

UNILOCK 5-axis clamping bolts for fastening to workpieces

Order No.	Form	D1	D2
K0968.12	A	12	18,4

Overview of items

Order No.	Form	D1	D2
K0968.16	A	16	21,1