

Round positioning plates

Item description/product images

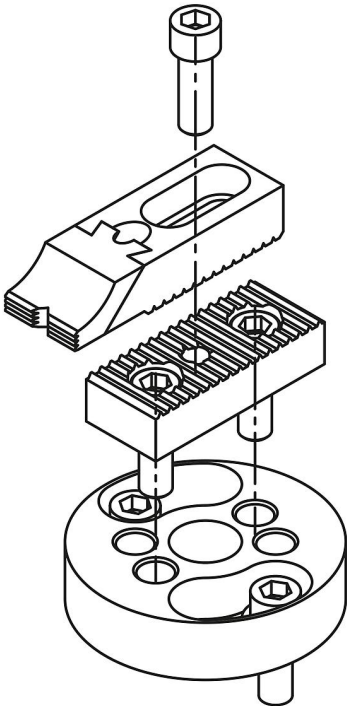


Description

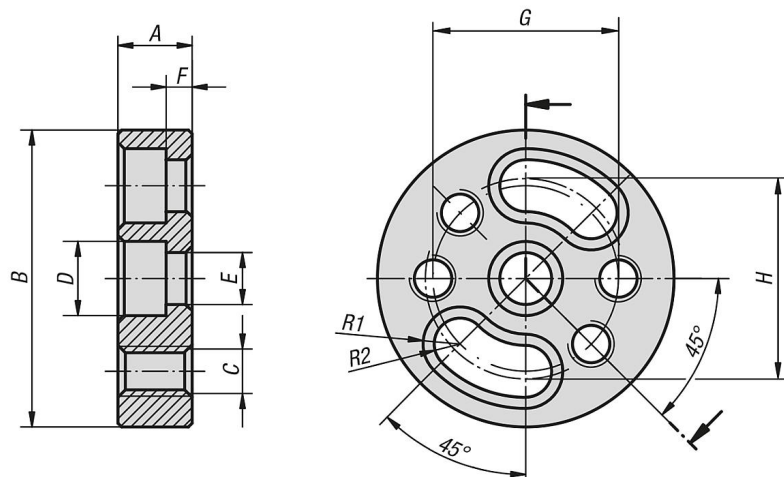
Material:
Carbon steel.

Version:
Black oxidised.

Note:
Round positioning plates allow clamps such as K0853.920 and K0853.930 to be positioned against the workpiece at an angle of e.g. 30°. The rack plates CL K0853.940 are mounted on the round positioning plate as intermediate adapters, the clamps are fitted and rotated to the correct position.



Drawings



Round positioning plates

Overview of items

Round positioning plates

Order No.	A	B	C	D	E	F	G	H	R1	R2	weight kg
K0812.24212020	20	80	M12	20	14	7	50	50	10	7	0,492
K0812.24216025	25	100	M16	26	18	7	50	70,7	13	9	0,867