

V-blocks, vertical

Item description/product images



Description

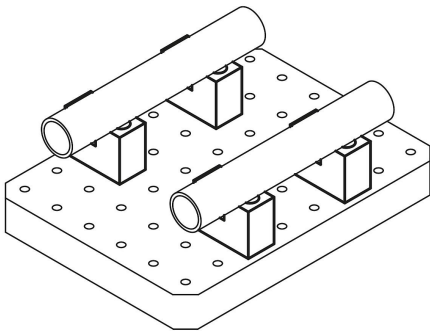
Material:

Carbon steel.

Version:

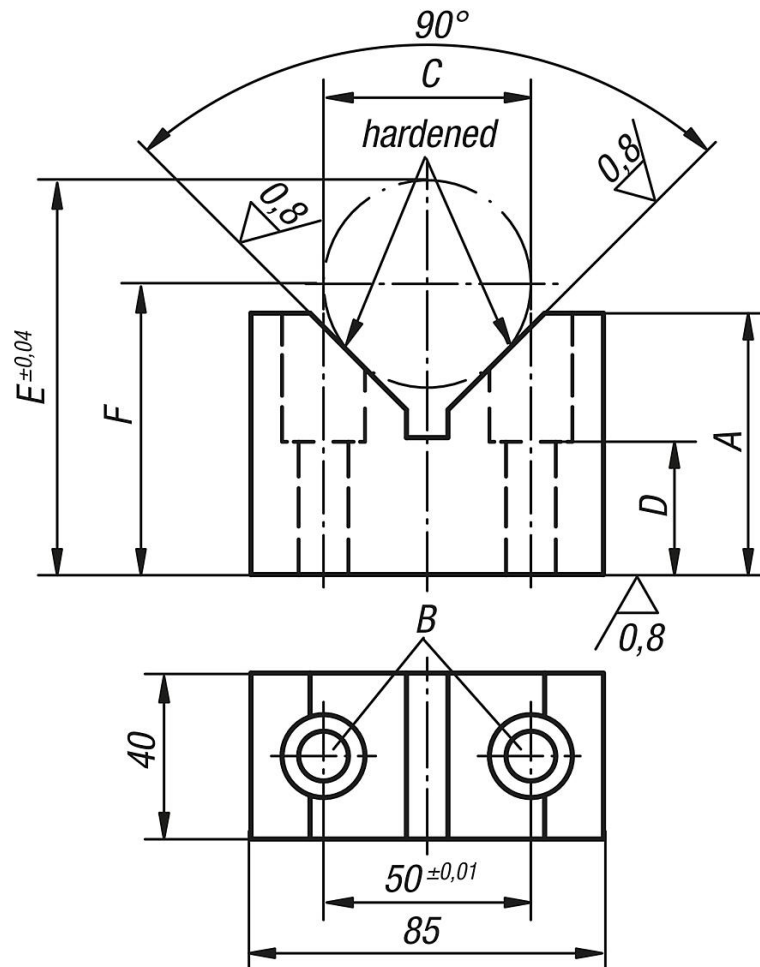
Black oxidised.

Prism and contact faces ground.



V-blocks, vertical

Drawings



Overview of items

V-blocks, vertical

Order No.	A	B Ø for shoulder screw	C min.	C max.	C Test-Ø	D	E	F	Suitable shoulder screw
K0819.60512063	63	12 F7	15	80	50±0,003	32	95,071	$C/2x\sqrt{2}+34,716$	K0815.112065
K0819.60512075	75	12 F7	15	100	70±0,003	32	124,142	$C/2x\sqrt{2}+39,645$	K0815.112065
K0819.60516063	63	16 F7	15	80	50±0,003	25	95,071	$C/2x\sqrt{2}+34,716$	K0815.116065
K0819.60516075	75	16 F7	15	100	70±0,003	25	124,142	$C/2x\sqrt{2}+39,645$	K0815.116065