

Stops

Item description/product images



Description

Material:

Carbon steel 1.0503.

Version:

Hard stop:

Tempered to 1200–1400 N/mm², black oxidised.

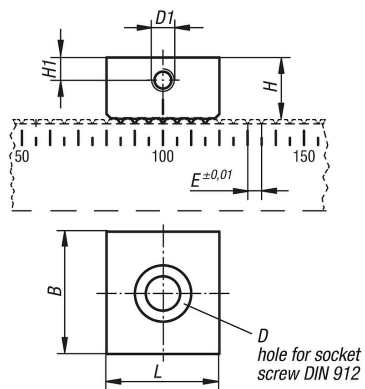
Serrations ground, bright.

Soft stop:

Hardness HRC 30, black oxidised.

Serrations case hardened and ground, bright.

Drawings



Overview of items

Stops

Order No.	Version 1	B	D	D1	E	H	H1	L
K0905.5000802	hard stop	24	M8x25	M5	2,5	15	6	25 ±0,01
K0905.5001202	hard stop	48	M12x30	M8	5	22	8	40 ±0,01
K0905.5001602	hard stop	48	M16x40	M8	5	29	12,5	40 ±0,01
K0905.5100802	soft stop	24	M8x25	M5	2,5	15	6	31 ±0,1
K0905.5101202	soft stop	48	M12x30	M8	5	22	8	50 ±0,1