

Clamping screws (high force)

Item description/product images



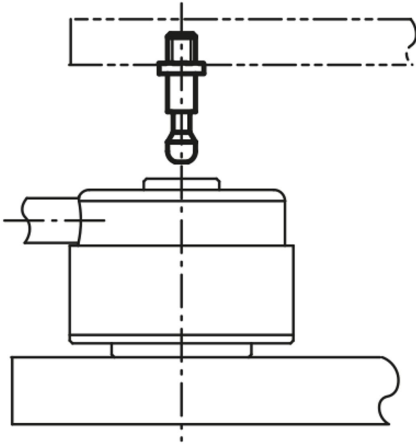
Description

Material:

Carbon steel.

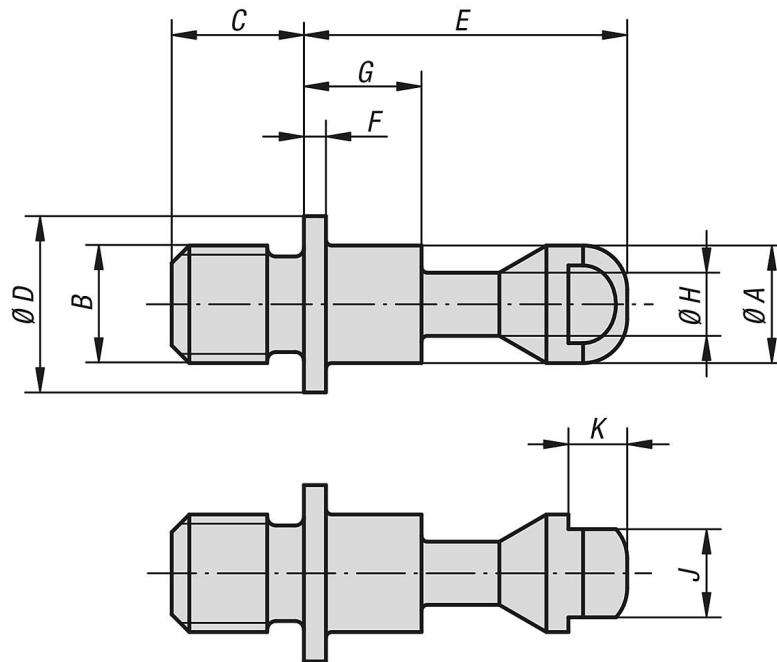
Version:

Tempered and black oxidised.



Clamping screws (high force)

Drawings



Overview of items

Clamping screws (high force)

Order No.	A	B	C	D	E	F	G	H	J	K	Suitable for
K0911.1412013	12	M12	13	20	38	2	21,5	6,5	10	4	K0911.506501
K0911.1416017	12	M16	17	20	38	2	21,5	6,5	10	4	K0911.506501
K0911.1516017	16	M16	17	25	48	2,5	28	9,5	13	5	K0911.638001
K0911.1520021	16	M20	21	25	48	2,5	28	9,5	13	5	K0911.638001