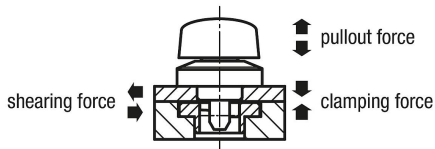


Quarter-turn clamp locks stainless steel, rotary knob plastic

Item description/product images



Description

Material:

Housing stainless steel.

Bolt steel.

Pin stainless steel.

Twist knob PA thermoplastic (polyamide).

Version:

Housing bright.

Bolt nickel plated

Pin bright.

Twist knob fibreglass reinforced PA, black.

Note:

M2 or M3 mounting screws are supplied.

Mounting option 1 for plate thickness 6 or 12 mm.

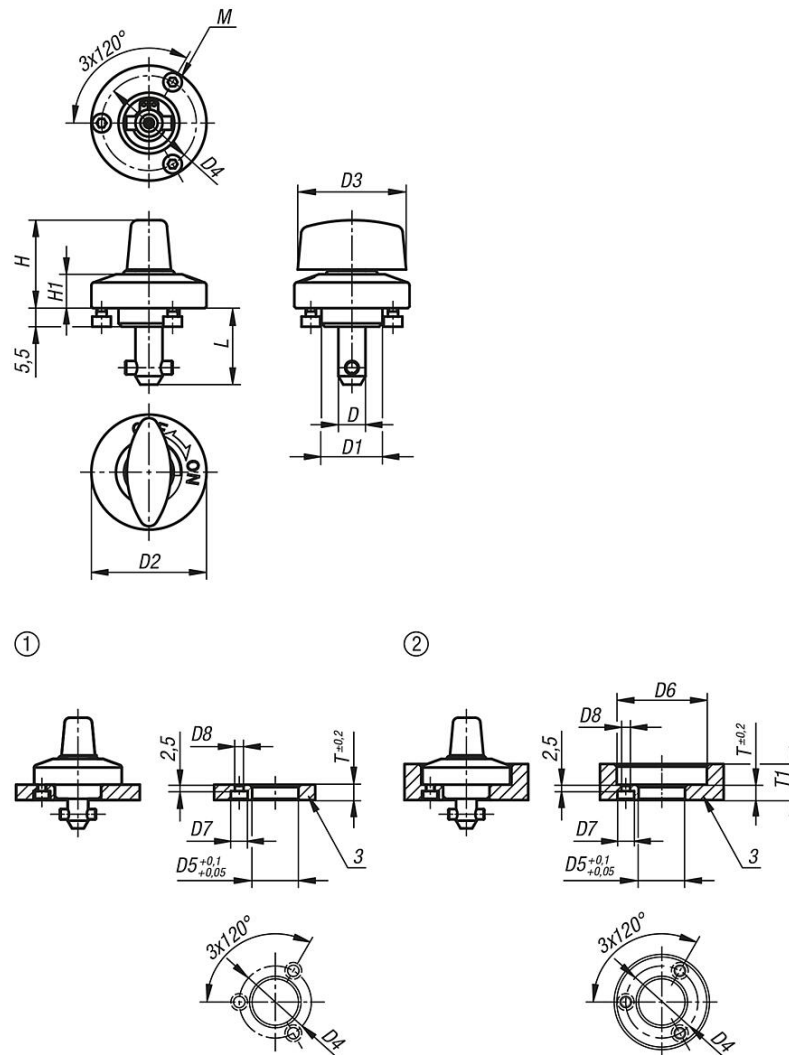
Mounting option 2 for plate thickness 12 to 20 mm.

Accessory:

Clamping plates K1062

Quarter-turn clamp locks stainless steel, rotary knob plastic

Drawings



Overview of items

Order No.	Component material	Version	2	D	L	D1	D2	D3	D4	H	H1	M	D5	D6	D7	D8	T	T1	Clamping force N	Shearing force kN	Pullout force F kN	Temperature resistance
K1061.516	plastic	pins steel	5	15,5	14	25	20	21	19	6,5	M2x3	14	26	4,4	2,4	6	6-10		60	1,8	1,2	≤130 °C
K1061.817	plastic	pins steel	8	17	18	34	32	28	26	10	M3x4	18	35	6,5	3,4	6	6-14		90	3,2	2,6	≤130 °C
K1061.823	plastic	pins steel	8	23	18	34	32	28	26	10	M3x4	18	35	6,5	3,4	12	12-20		90	3,2	2,6	≤130 °C