

UNILOCK clamping pin with threaded pin size 80 mm

Item description/product images



Description

Material:

Steel.

Version:

Hardened and black oxidised.

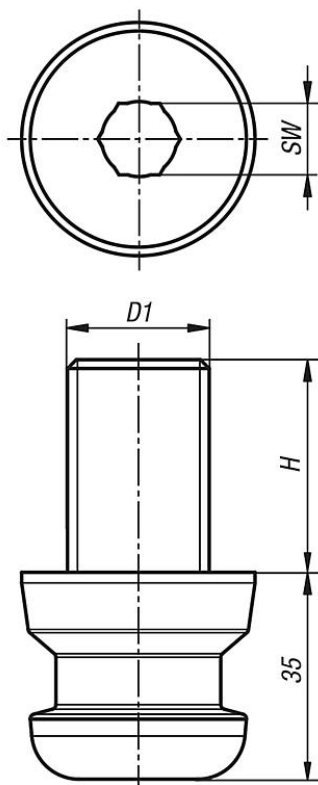
Contact faces ground.

Note:

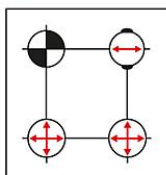
The UNILOCK clamping pin is suitable for clamping and positioning workpieces and fixtures. Clamping pins are screwed onto the exchange element and adapted to the various basic modules.

UNILOCK clamping pin with threaded pin size 80 mm

Drawings



- Centring pins = Form A fixes in x and y axis (reference point)
- Adjustment pins = Form B fixes the free axis (bayonet pin)
- Tightening bolts = Form C Pins with undersize (no centring function, clamping only)



Overview of items

UNILOCK clamping pin with threaded pin

Order No.	Form	D1	H	SW
K0967.140002416	A	M16	24	17
K0967.140003020	A	M20	30	17
K0967.140003624	A	M24	36	17

