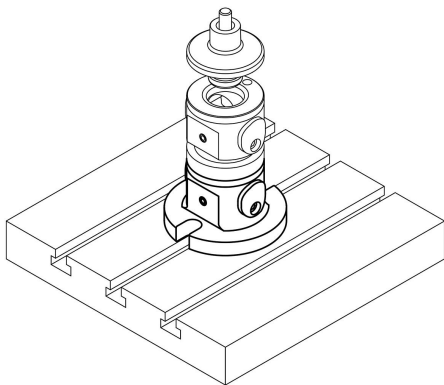
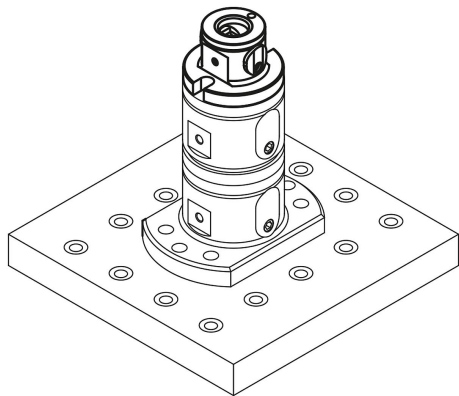


UNILOCK 5-axis basic module system size 50 mm

Item description/product images



Description

Material:

Carbon steel.

Version:

Main body oxidised.

Contact faces hardened and ground.

Note:

UNIlock 5-axis basic modules, system size 50, can be adapted directly to machine tables with grid holes or T-slots, as well as grid hole subplates. The basic module system size 50 can also be combined with system size 80, This enables smaller workpieces to be easily clamped using the module clamping system.

Fits onto UNILOCK zero-point clamping system with UNILOCK clamping pin D=18 mm.

Can also be mounted directly onto commonly available zero-point clamping systems if a suitable clamping pin is used.

The following clamping forces are possible with the UNILOCK clamping pin in conjunction with M8, M10 fastening screws:

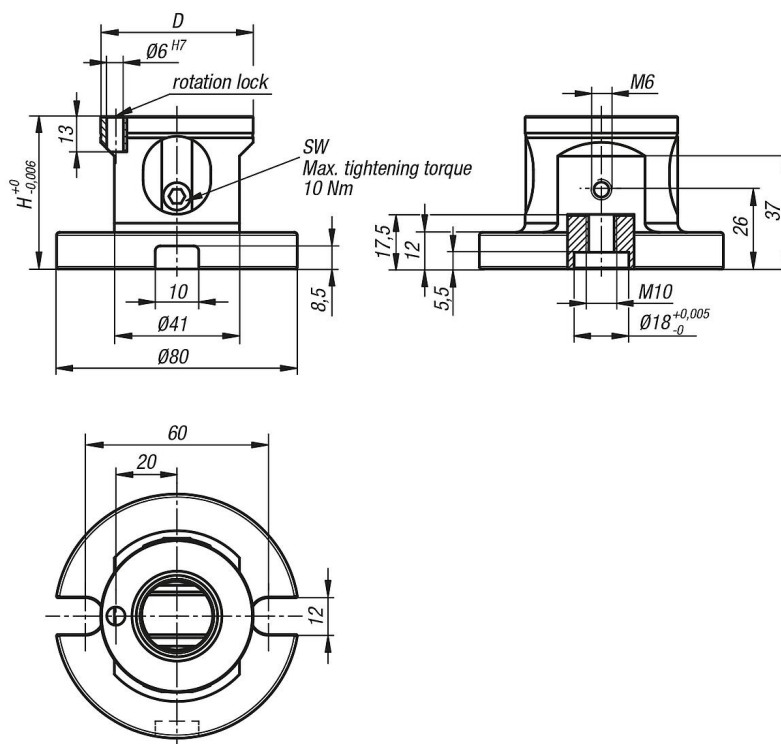
- Clamping force (M8) 15,000 N
- Clamping force (M10) 25,000 N

Clamping force with DIN EN ISO 4762 -12.9 cap screws.

Clamping pins may only be clamped in conjunction with a mounted interchangeable unit in the clamping module.

UNILOCK 5-axis basic module system size 50 mm

Drawings



Overview of items

UNILOCK 5-axis basic module, system size 50 mm

Order No.	Form	Form definition	D	H	SW	Retraction force kN	Tightening torque max. Nm
K1117.12050601	B	with rotation lock	50	50	4	10	10