

## Compression latches with adjustable tongue gap

### Item description/product images

---



### Description

**Material:**

Housing and actuator die-cast zinc.  
Flat seal rubber.

**Version:**

Housing and actuator chrome-plated.  
Wing-handle version powder-coated.

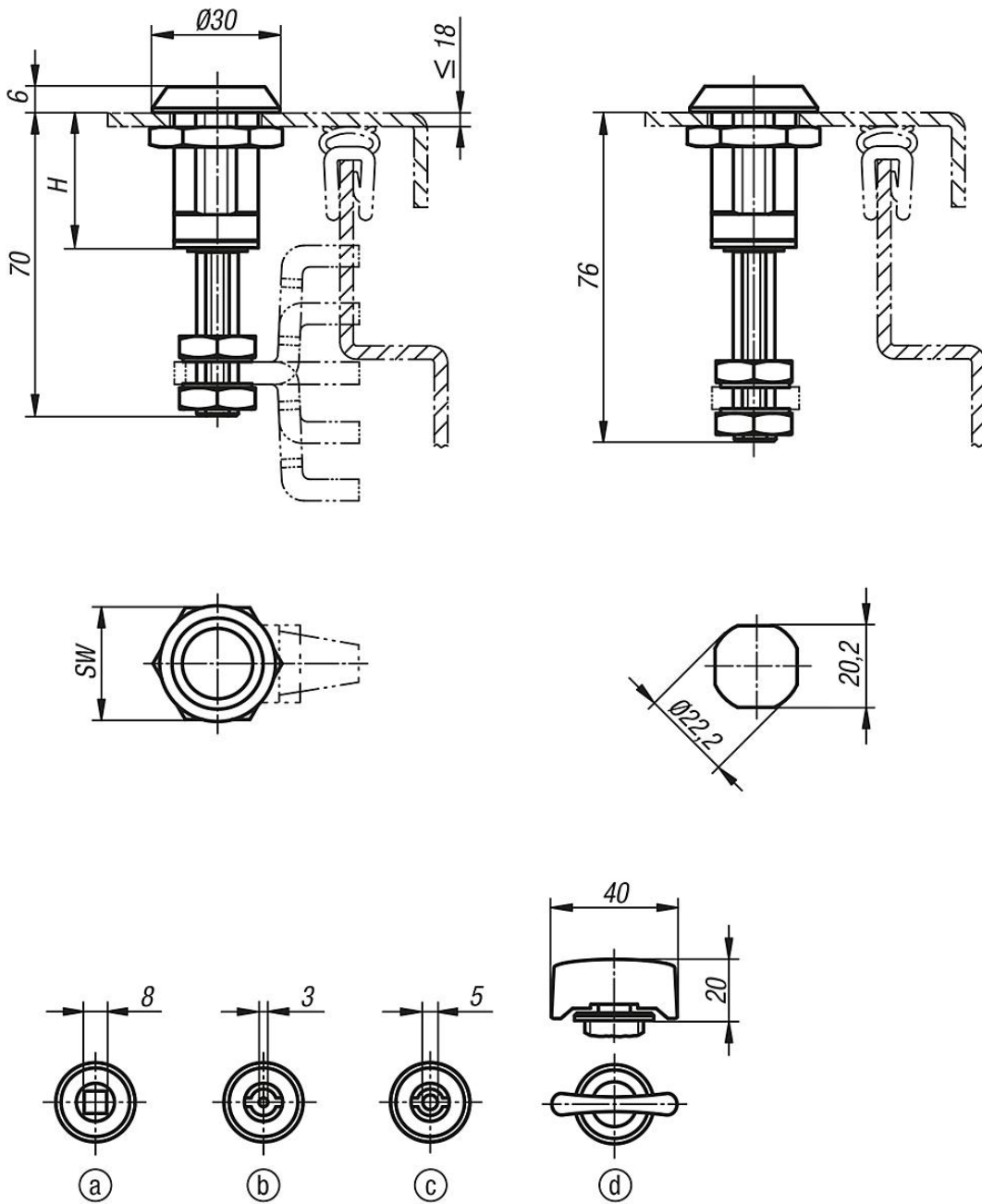
**Note:**

Compression latches are primarily used for doors and housings that require a high pressure on the seal. Right or left deployment. The locking direction is always clockwise.

Vibration-proof, water and dust tight according to IP65.

Compression latches with adjustable tongue gap

Drawings



Overview of items

Order No.	Actuation	SW	H
K0531.18321	square 8 mm	27	32
K0531.43321	double lug 3 mm	27	32
K0531.45321	double lug 5 mm	27	32
K0531.30322	wing grip	27	32

