

## Quarter-turn locks stainless steel

### Item description/product images



### Description

**Material:**  
Stainless steel 1.4305.

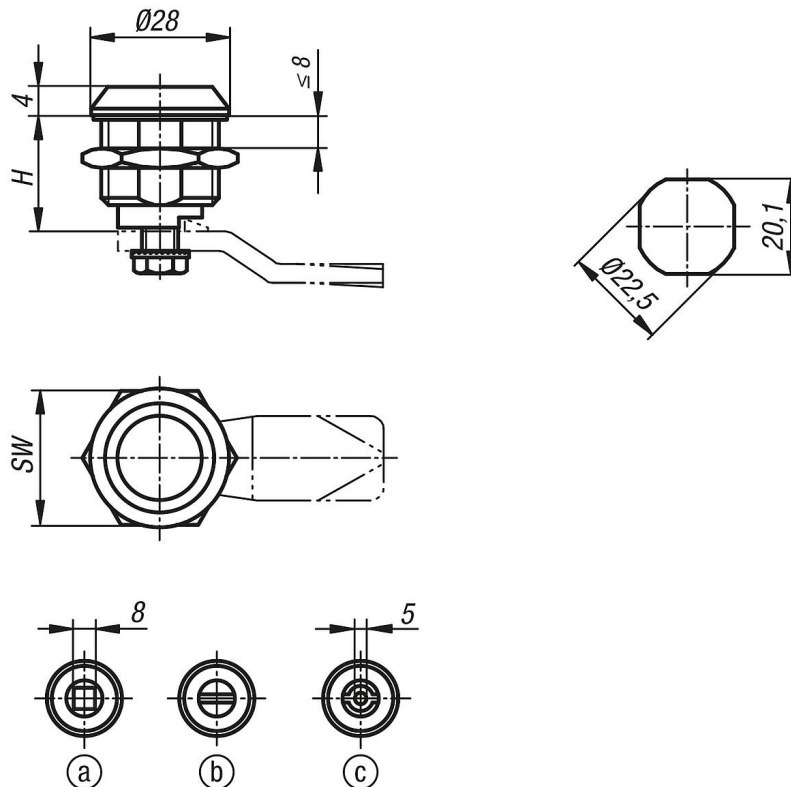
**Version:**  
Bright.

**Note:**  
Rating IP65. Achieved using an additional O-ring underneath the actuator and a PUR seal foamed onto the housing. The quarter-turn lock can be installed pre-assembled.

### Drawing reference:

Actuation:  
a) square 8 mm  
b) slot  
c) double lug 5 mm

### Drawings



### Overview of items

| Order No.   | Actuation       | H  | SW |
|-------------|-----------------|----|----|
| K1106.40186 | double lug 5 mm | 18 | 27 |
| K1106.20186 | slot            | 18 | 27 |
| K1106.18186 | square 8 mm     | 18 | 27 |

