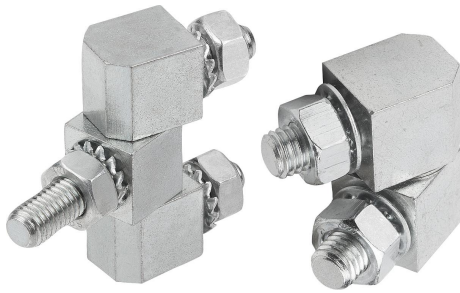


Block hinges with fastening nuts

Item description/product images



Description

Material:

Steel.

Stainless steel 1.4305.

Stainless steel A4 1.4401.

Version:

Steel electro zinc-plated.

Stainless steel bright.

Note:

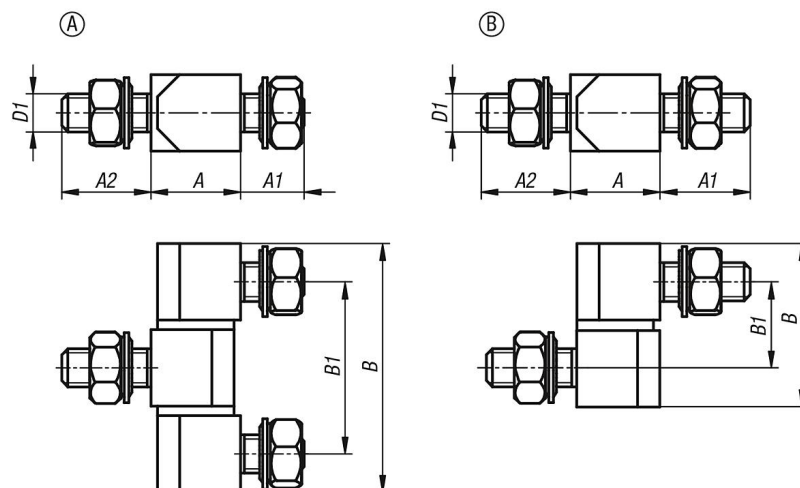
Block hinges with fastening nuts for overlapping or inset doors.

Mounted with nuts (M6 or M8) from inside. The 3-part versions are not detachable.

The hinge can be used left or right. The opening angle is 180°. Supplied unassembled.

Fastening nuts and washers are supplied.

Drawings



Overview of items

Block hinges with fastening nuts

Order No.	Form	Main material	Steel code	A	A1	A2	B	B1	D1
K1142.0614027	A	steel	-	13	10	14	39	27	M6
K1142.0820033	A	steel	-	18	14	22	49	33	M8
K1142.10614027	A	stainless steel	1.4305	13	10	14	39	27	M6
K1142.10820033	A	stainless steel	1.4305	18	14	22	49	33	M8
K1142.20614027	A	stainless steel	1.4401	13	10	14	39	27	M6
K1142.20820033	A	stainless steel	1.4401	18	14	22	49	33	M8
K1142.10610135	B	steel	-	13	10	10	25,3	13,5	M6
K1142.10814165	B	steel	-	18	14	14	32,4	16,5	M8
K1142.110610135	B	stainless steel	1.4305	13	10	10	25,3	13,5	M6
K1142.110814165	B	stainless steel	1.4305	18	14	14	32,4	16,5	M8

