

## Screw plugs with hexagon socket DIN 906, tapered thread

### Item description/product images



### Description

#### Material:

Steel or stainless steel 1.4571.

#### Version:

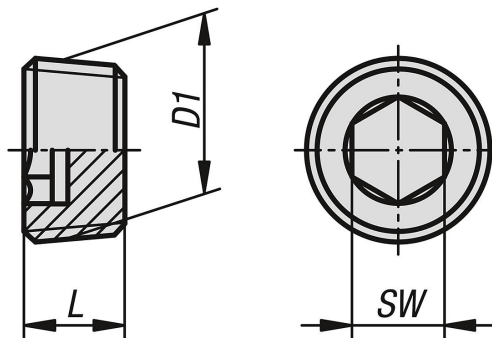
Steel electro zinc-plated.

Stainless steel bright.

#### Note:

Screw plugs with hexagon socket and tapered threads are suitable for plugging holes with parallel threads.

### Drawings



### Overview of items

#### Screw plugs with hexagon socket with tapered thread DIN 906

Order No. steel	Order No. stainless steel	D1	L	SW
K1129.100810	K1129.200810	M8x1	8	4
K1129.101010	K1129.201010	M10x1	8	5
K1129.101215	K1129.201215	M12x1,5	10	6
K1129.101415	K1129.201415	M14x1,5	10	7
K1129.101615	K1129.201615	M16x1,5	10	8
K1129.101015	K1129.201815	M18x1,5	10	8
K1129.102015	K1129.202015	M20x1,5	10	10
K1129.102215	K1129.202215	M22x1,5	10	10
K1129.102415	K1129.202415	M24x1,5	12	12
K1129.102615	-	M26x1,5	12	12
K1129.103015	-	M30x1,5	12	17
K1129.103615	-	M36x1,5	15	19
K1129.104215	-	M42x1,5	18	22
K1129.104815	-	M48x1,5	20	24
K1129.10018	K1129.2001815	R1/8	8	5
K1129.10014	K1129.2001415	R1/4	10	7
K1129.10038	K1129.2003815	R3/8	10	8
K1129.10012	K1129.2001215	R1/2	10	10
K1129.10034	K1129.2003415	R3/4	12	12
K1129.10100	K1129.2010015	R1	12	17
K1129.10114	-	R1 1/4	18	22
K1129.10112	-	R1 1/2	20	24

