

Grease nipples conical head DIN 71412, Form E, 90°, square

Item description/product images



Description

Material:

Steel.

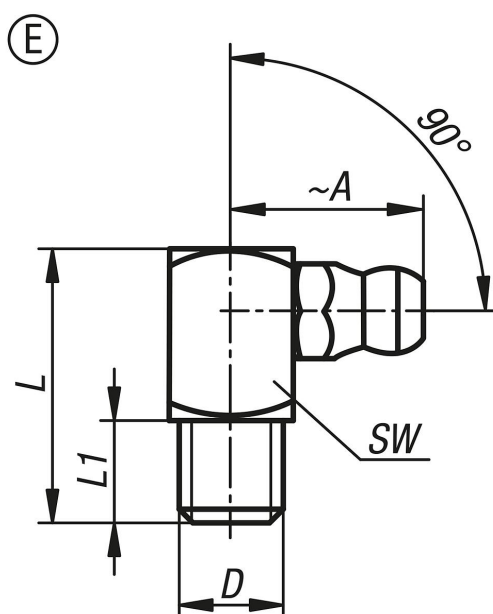
Version:

Steel hardened to min. 550 HV 1 and electro zinc-plated.

Note:

The conical head grease nipples have a tapered thread. They are suitable for grease points which must be lubricated often and reliably. Their versatility makes them the most widespread type of grease nipple.

Drawings



Overview of items

Order No.	Form	Form definition	Main material	A	D	L max.	L1	SW
K1132.1506100	E	angled 90° with square	steel	14	M6X1	18	5,5	9
K1132.1508100	E	angled 90° with square	steel	14	M8X1	18	5,5	9
K1132.1508125	E	angled 90° with square	steel	14	M8X1,25	18	5,5	9
K1132.1510100	E	angled 90° with square	steel	15	M10X1	18	5,5	11
K1132.1518	E	angled 90° with square	steel	15	R1/8	18	5,5	11