

R-clips similar to DIN 11024, Form E, single coil

Item description/product images



Description

Material:

Steel or stainless steel A2.

Version:

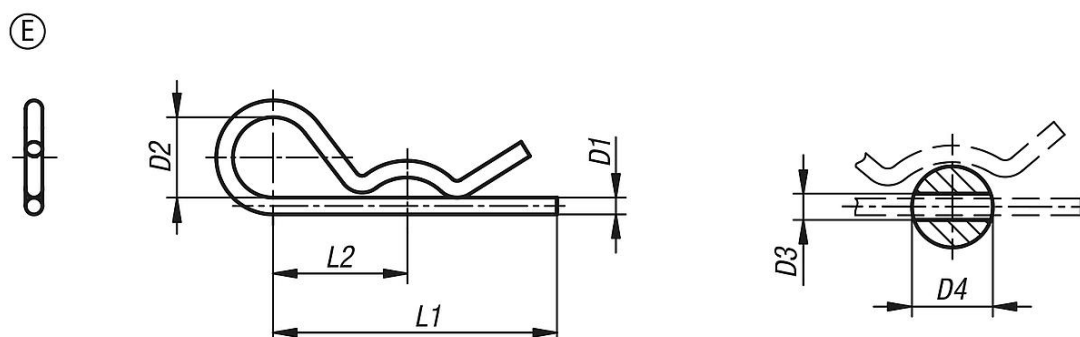
Steel electro zinc-plated.

Stainless steel bright.

Note:

R-clips are used for securing bolts and axles. They are easy to install and can be reused. The ends have no sharp edges.

Drawings



Overview of items

Order No.	Form	Main material	D1	D2	D3	D4=for screw \emptyset	L1	L2
K1137.11200	E	steel	2	10	2,5	9-14	50	25
K1137.11300	E	steel	3	18	3,5	10-16	60	28
K1137.11400	E	steel	4	20	4,5	16-20	60	30
K1137.11500	E	steel	5	24	6	20-28	85	40
K1137.11600	E	steel	6	30	7	28-40	105	50
K1137.11700	E	steel	7	30	8	28-45	105	50
K1137.21200	E	stainless steel A2	2	10	2,5	7-8	40	25
K1137.21250	E	stainless steel A2	2,5	11	3	10-16	46	24
K1137.21300	E	stainless steel A2	3	16	3,5	16-18	60	34
K1137.21400	E	stainless steel A2	4	19	4,5	18-20	64	36
K1137.21500	E	stainless steel A2	5	26	6	20-28	82	45
K1137.21600	E	stainless steel A2	6	30	7	28-40	110	60