

Grease nipples conical head DIN 71412, Form C, 90°, hexagonal

Item description/product images



Description

Material:

Steel or 1.4305 stainless steel.

Version:

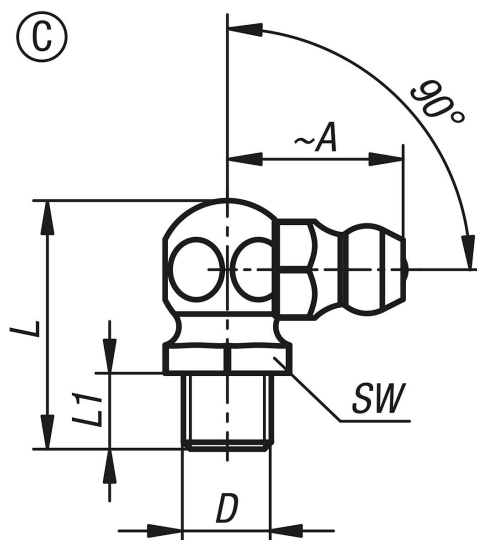
Steel hardened, min. 550 HV 1, electro zinc-plated.

Stainless steel bright.

Note:

The conical head grease nipples have a tapered thread. They are suitable for grease points which must be lubricated often and reliably. Their versatility makes them the most widespread type of grease nipple.

Drawings



Overview of items

Order No.	Form	Form definition	Main material	A	D	L max.	L1	SW
K1132.1306100	C	angled 90° with hexagon socket	steel	13	M6X1	18	5,5	9
K1132.1308100	C	angled 90° with hexagon socket	steel	13	M8X1	18	5,5	9
K1132.1308125	C	angled 90° with hexagon socket	steel	12	M8X1,25	18	5,5	9
K1132.1310100	C	angled 90° with hexagon socket	steel	14	M10X1	18	5,5	11
K1132.1310150	C	angled 90° with hexagon socket	steel	14	M10X1,5	18	5,5	11
K1132.1318	C	angled 90° with hexagon socket	steel	14	R1/8	18	5,5	11
K1132.1314	C	angled 90° with hexagon socket	steel	14	R1/4	22	6	14
K1132.2306100	C	angled 90° with hexagon socket	stainless steel	13	M6X1	18	5,5	9
K1132.2308100	C	angled 90° with hexagon socket	stainless steel	13	M8X1	18	5,5	9
K1132.2308125	C	angled 90° with hexagon socket	stainless steel	13	M8X1,25	18	5,5	9
K1132.2310100	C	angled 90° with hexagon socket	stainless steel	14	M10X1	18	5,5	11
K1132.2310150	C	angled 90° with hexagon socket	stainless steel	14	M10X1,5	20	5,5	11
K1132.2318	C	angled 90° with hexagon socket	stainless steel	14	R1/8	18	5,5	11
K1132.2314	C	angled 90° with hexagon socket	stainless steel	14	R1/4	22	6	14

