

Bullseye levels in round frame

Item description/product images



Description

Material:

Frame brass.
Bullseye level body polyamide.

Version:

Nickel-plated and high-gloss polished.

Note:

Bubble levels are used as a type of zero indicator instrument for checking horizontal inclination in e.g. spirit levels, inclinometers, metrology instruments and machine constructions.

Form B can be fastened using a grub screw.

- Sensitivity in angular minutes for 2 mm bubble travel
- The bullseye level is calibrated to the seating face of frame
- Various threads are available
- Clear filling
- Black contrast ring
- White level base

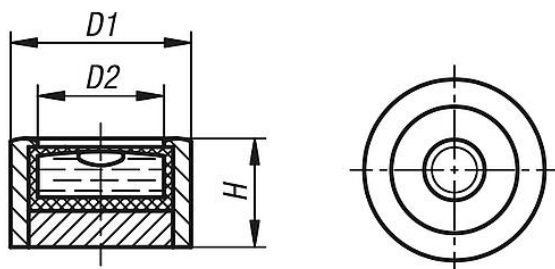
Temperature range:

-35 °C up to +55 °C.

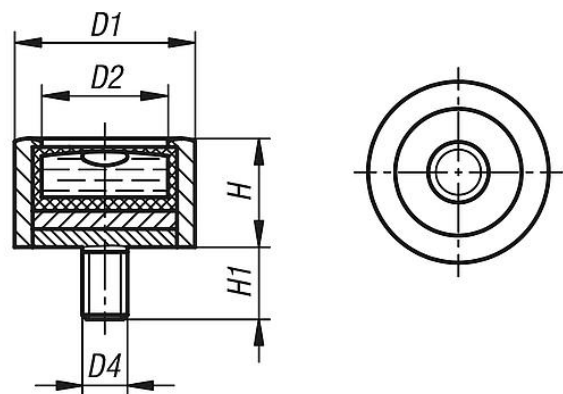
Angular minutes	Degrees in decimals	Height difference in millimetres per metre
1'	0.0167°	0.291 mm
5'	0.0833°	1.455 mm
10'	0.1667°	2.910 mm
20'	0.3333°	5.820 mm
25'	0.4167°	7.275 mm
30'	0.5000°	8.730 mm
40'	0.6667°	11.640 mm
50'	0.8333°	14.550 mm
53'	0.8833°	15.423 mm

Drawings

Ⓐ



Ⓑ



Overview of items

Bullseye levels in a round frame

Order No.	Form	D1	D2	D4	H	H1	Sensitivity
K1155.1140930	A	14	10	-	9,5	-	30'
K1155.1181130	A	18	12	-	11	-	30'
K1155.1201230	A	20	14	-	12	-	30'
K1155.1301530	A	30	21	-	15	-	30'
K1155.2140730	B	14	10	M4	7,5	5	30'
K1155.2181230	B	18	12	M6	12	5	30'
K1155.2201230	B	20	14	M5	12	8	30'

Bullseye levels in round frame**Overview of items**

Order No.	Form	D1	D2	D4	H	H1	Sensitivity
K1155.2301530	B	30	21	M8	15	10	30'