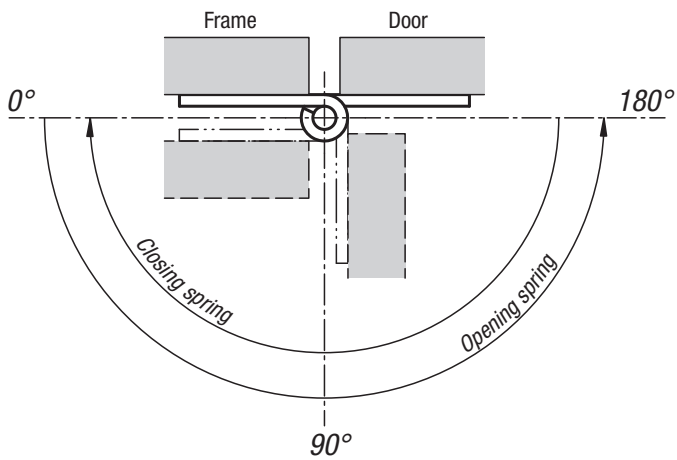


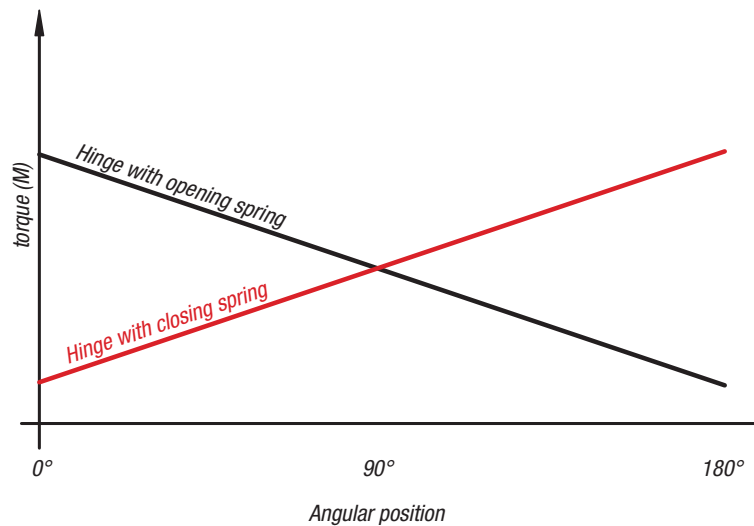
Technical information for spring hinges



Opening direction of spring hinges acc. to spring type:



Spring hinge torque development acc. to angular position:



M: Hinge torque in different positions.

$M(0^\circ)$: Torque by parallel positioned doors.

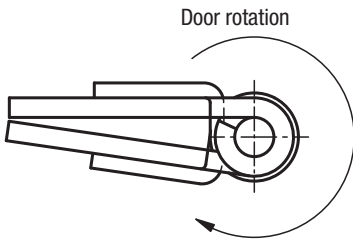
$M(90^\circ)$ Torque by doors positioned at 90°

$M(180^\circ)$: Torque by doors positioned at 180° .

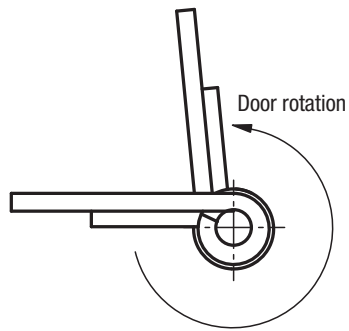
Technical information for spring hinges



Hinges with closing spring

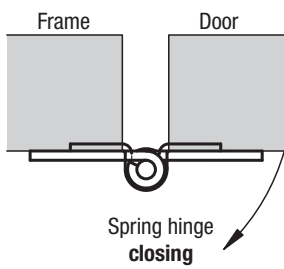


Hinges with opening spring

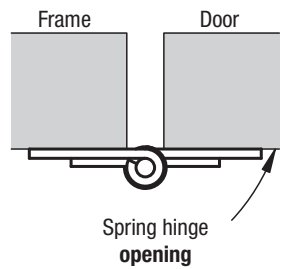
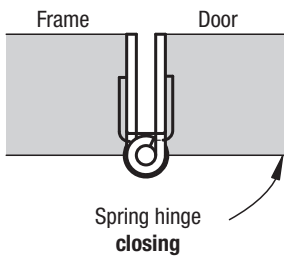
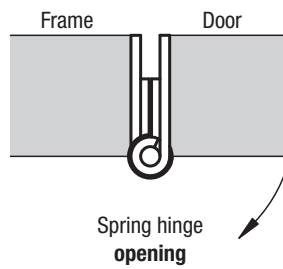


Mounting and opening direction:

Surface mounted:



Recessed mounting:



The arrow shows the hinge rotation direction under influence of the spring.