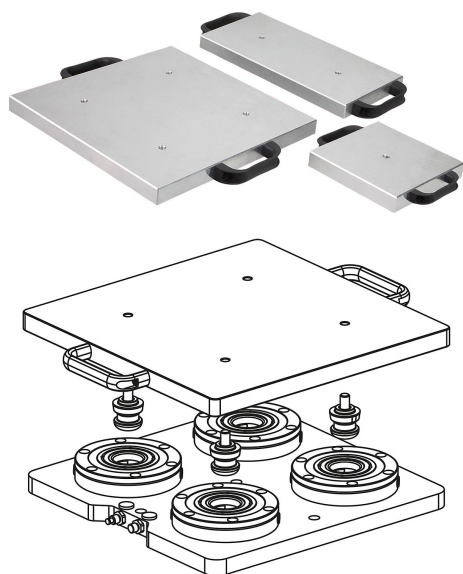


UNILOCK interchangeable subplates for zero-point clamping system

Item description/product images



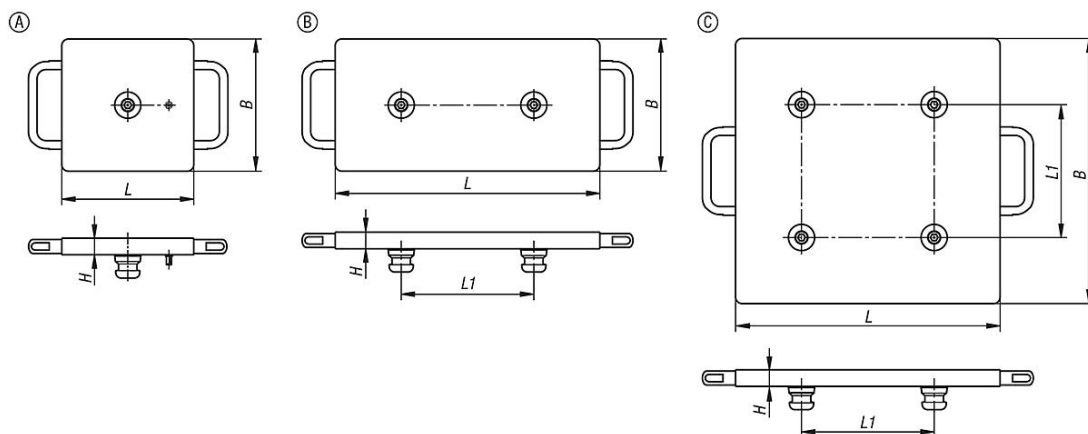
Description

Material:
High-strength aluminium.

Note:
Interchangeable subplates are particularly suitable for quickly exchanging fixtures on zero point clamping plates. Ground on both sides, standard clamping pin gauge of 200 mm. Complete with clamping pins and handles.

On request:
Further gauges and special sizes.

Drawings



Overview of items

UNILOCK interchangeable subplates for zero-point clamping system

Order No.	Form	B	H	L	L1	weight ca. kg
K1218.1000200200	A	199	25	199	-	2,95
K1218.2200200200	B	199	25	399	200	6,02
K1218.4200400400	C	399	25	399	200	11,88