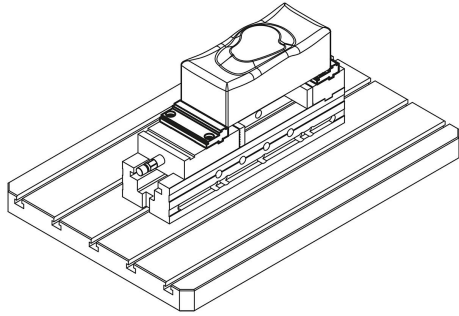
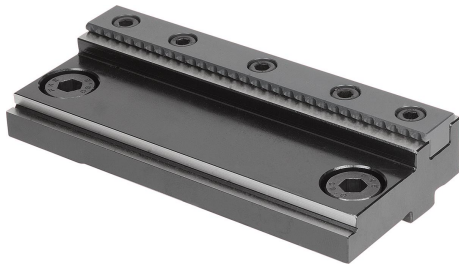


# Attachment step jaw with gripper for NC vice

## Item description/product images



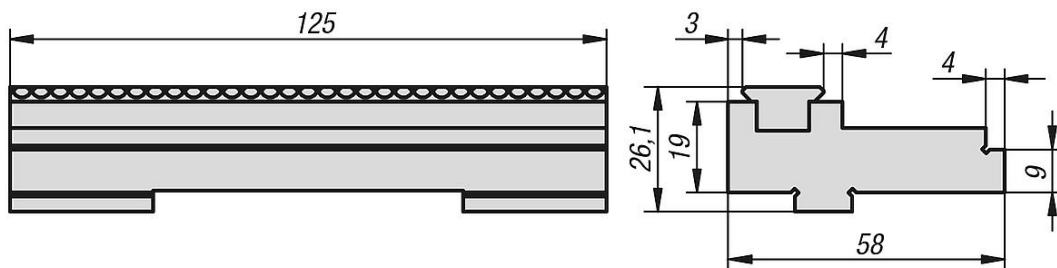
### Description

**Material:**  
Steel.

**Version:**  
Hardened and ground.

**Note:**  
The attachment step jaws are for expanding the NC vice clamping width. The gripper jaw pads can be exchanged for smooth jaw pads K0591.125117.

## Drawings



## Overview of items

### Attachment step jaw with gripper jaw pad for NC vice

Order No.	Suitable for
K1273.1251	NC vice 125