

Stop screws, Form B

Item description/product images



Description

Material:

Steel grade 10.9
(M3 8.8)

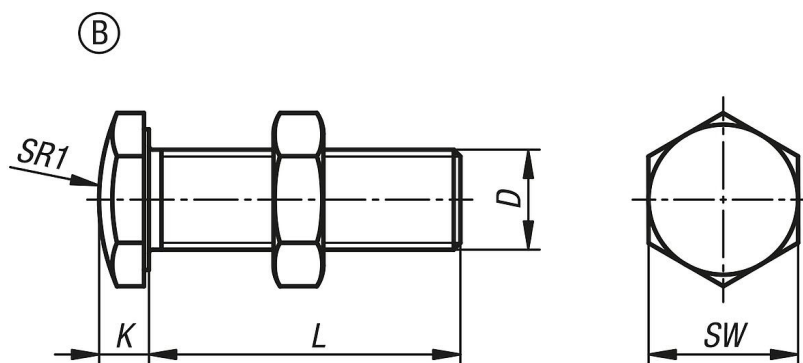
Version:

Stop screw black oxidised.
Nut electro zinc-plated.

Note:

Size M3 stop screw only available in grade 8.8.

Drawings



Overview of items

Order No.	Form	D	L	K	SW	SR1
K1200.20316	B	M3	16	2	5,5	10
K1200.20325	B	M3	25	2	5,5	10
K1200.20416	B	M4	16	2,5	7	10
K1200.20425	B	M4	25	2,5	7	10
K1200.20435	B	M4	35	2,5	7	10
K1200.20516	B	M5	16	3,5	8	12
K1200.20525	B	M5	25	3,5	8	12
K1200.20535	B	M5	35	3,5	8	12
K1200.20625	B	M6	25	3,8	10	15
K1200.20635	B	M6	35	3,8	10	15
K1200.20640	B	M6	40	3,8	10	15
K1200.20812	B	M8	12	5	13	20
K1200.20816	B	M8	16	5	13	20
K1200.20820	B	M8	20	5	13	20
K1200.20825	B	M8	25	5	13	20
K1200.20830	B	M8	30	5	13	20
K1200.20835	B	M8	35	5	13	20
K1200.20840	B	M8	40	5	13	20
K1200.20845	B	M8	45	5	13	20
K1200.20850	B	M8	50	5	13	20
K1200.20855	B	M8	55	5	13	20
K1200.20865	B	M8	65	5	13	20
K1200.20870	B	M8	70	5	13	20
K1200.20885	B	M8	85	5	13	20
K1200.21035	B	M10	35	6	17	30
K1200.21040	B	M10	40	6	17	30
K1200.21050	B	M10	50	6	17	30

Stop screws, Form B**Overview of items**

Order No.	Form	D	L	K	SW	SR1
K1200.21060	B	M10	60	6	17	30
K1200.21240	B	M12	40	7	19	30
K1200.21260	B	M12	60	7	19	30
K1200.21270	B	M12	70	7	19	30
K1200.21650	B	M16	50	9,5	24	35
K1200.21660	B	M16	60	9,5	24	35
K1200.21670	B	M16	70	9,5	24	35