

Self-aligning pads, self-righting, Form C, with external thread, flattened ball, smooth

Item description/product images



Description

Material:

Ball steel, ball seat high-carbon steel.

Version:

Ball hardened, ball seat phosphated.

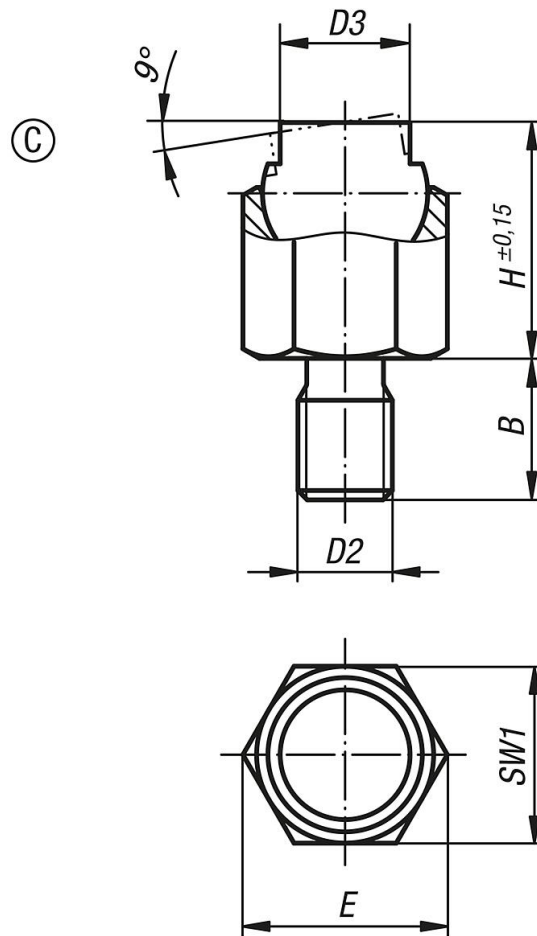
Note:

The self-aligning pads serve as stops, rests and thrust pads in fixture construction. The seating face returns to the start position when the load is removed.

Ball secured against rotation.

Self-aligning pads, self-righting, Form C, with external thread, flattened ball, smooth

Drawings



Overview of items

Order No.	Form	B	D2	D3	H	E	SW1	Ball-Ø	Load rating max. kN (static load only)
K1164.106	C	9	M6	7	13	11,5	10	9	8
K1164.108	C	12	M8	9,5	18	15	13	12	16
K1164.110	C	15	M10	14	25	21,9	19	17	32
K1164.112	C	18	M12	20	36	31,2	27	25	64
K1164.116	C	24	M16	22	40	34,6	30	28	90