

Cable clips with T-slot key

Item description/product images



Description

Material:

Polyamide.
O-ring FPM 70.

Version:

Black.

Note:

The cable clip is a fastening component for cables and hoses with a diameter up to 12 mm.

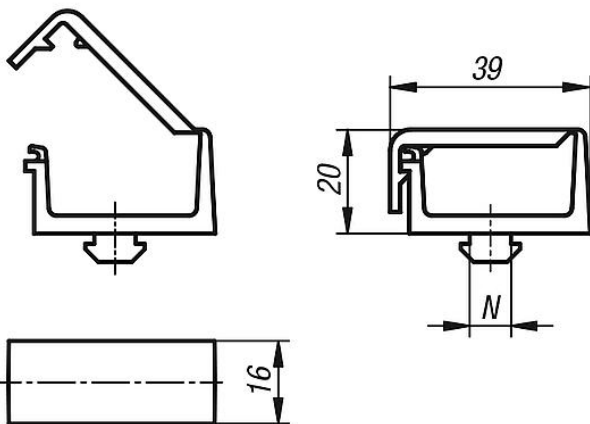
The clip is mounted by inserting the T-key into a T-slot and twisting through 90°. The cables are held in place by the stretched O-ring.

Form A: with one channel.

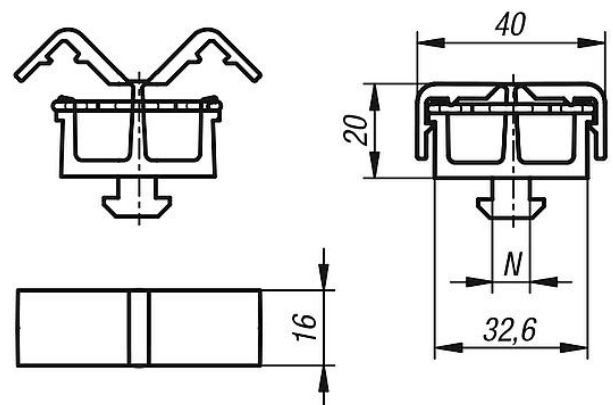
Form B: with two separate channels.

Drawings

Ⓐ



Ⓑ



Overview of items

Cable clips with T-slot key

Order No.	Form	Version 2	Slot width	N
K1280.1108	A	type I	8	8
K1280.1208	A	type B	8	8
K1280.1210	A	type B	10	10
K1280.2108	B	type I	8	8
K1280.2208	B	type B	8	8
K1280.2210	B	type B	10	10

