

## Cam-action indexing plungers with stop, Form B and D

### Item description/product images



### Description

**Material:**

Steel grade 5.8.

**Version:**

Black oxidised.

Pin hardened and ground.

**Note:**

Cam-action indexing plungers are used when the indexing pin should not project all the time. Turning the handle through 180° retracts the pin.

A notch ensures that the handle remains in this position.

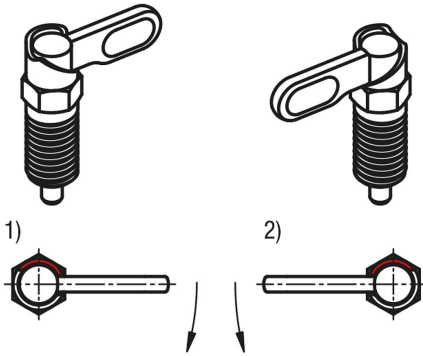
A stop prevents the handle being rotated through more than 180° ensuring that the pin remains retracted.

Selecting which side the stop is on defines the rotation direction of the plunger.

**Drawing reference:**

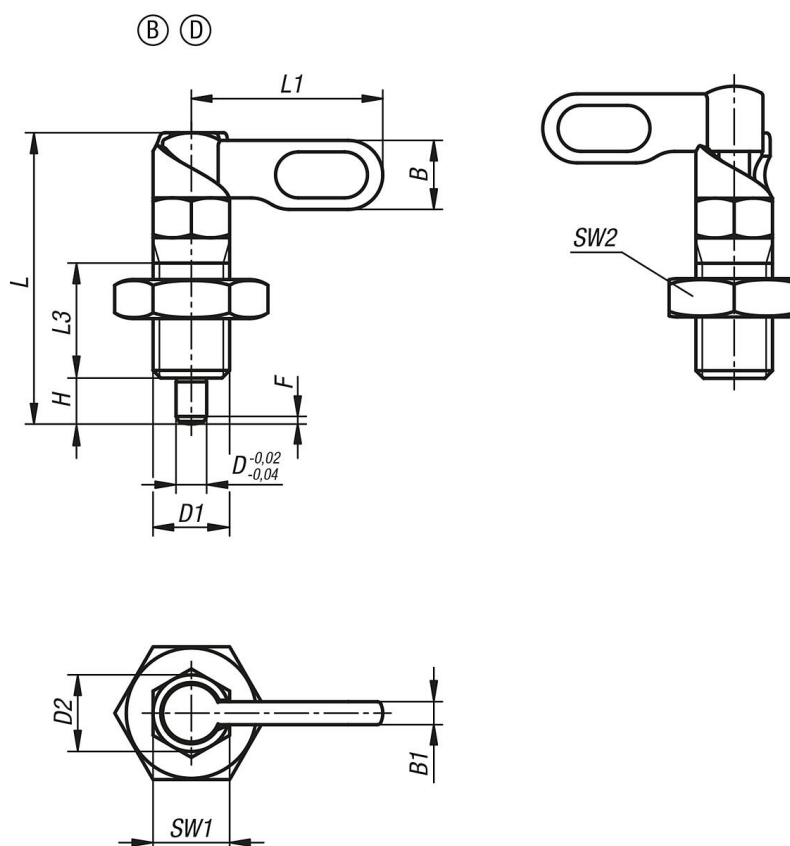
1) Stop, left

2) Stop, right



# Cam-action indexing plungers with stop, Form B and D

## Drawings



## Overview of items

| Order No.      | Form | Version 2 | D  | D1      | D2 | L    | L1 | L3 | B    | B1  | H  | SW1 | SW2 | Fx30° | Spring force<br>initial pressure<br>F1 approx. N | Spring force<br>final pressure<br>F2 approx. N |
|----------------|------|-----------|----|---------|----|------|----|----|------|-----|----|-----|-----|-------|--|--|
| K1284.1050410  | B    | left      | 4  | M10     | 10 | 38   | 25 | 15 | 9    | 3   | 6  | 10  | 17  | 1     | 8  | 14   |
| K1284.1050510  | B    | left      | 5  | M10     | 10 | 38   | 25 | 15 | 9    | 3   | 6  | 10  | 17  | 1,3   | 8  | 14   |
| K1284.1050610  | B    | left      | 6  | M10     | 10 | 38   | 25 | 15 | 9    | 3   | 6  | 10  | 17  | 1,8   | 8  | 14   |
| K1284.1050512  | B    | left      | 5  | M12     | 12 | 47,8 | 30 | 19 | 10,8 | 3,6 | 8  | 12  | 19  | 1,3   | 8  | 15   |
| K1284.1050612  | B    | left      | 6  | M12     | 12 | 47,8 | 30 | 19 | 10,8 | 3,6 | 8  | 12  | 19  | 1,8   | 8  | 15   |
| K1284.1050812  | B    | left      | 8  | M12     | 12 | 47,8 | 30 | 19 | 10,8 | 3,6 | 8  | 12  | 19  | 2,3   | 8  | 15   |
| K1284.1050616  | B    | left      | 6  | M16     | 16 | 60,4 | 40 | 26 | 14,4 | 4,8 | 10 | 16  | 24  | 1,8   | 15   | 35   |
| K1284.1050816  | B    | left      | 8  | M16     | 16 | 60,4 | 40 | 26 | 14,4 | 4,8 | 10 | 16  | 24  | 2,3   | 15   | 35   |
| K1284.1051016  | B    | left      | 10 | M16     | 16 | 60,4 | 40 | 26 | 14,4 | 4,8 | 10 | 16  | 24  | 2,8   | 15   | 35   |
| K1284.10508201 | B    | left      | 8  | M20x1,5 | 20 | 70   | 50 | 30 | 18   | 6   | 12 | 20  | 30  | 2,3   | 20   | 60   |
| K1284.10510201 | B    | left      | 10 | M20x1,5 | 20 | 70   | 50 | 30 | 18   | 6   | 12 | 20  | 30  | 2,8   | 20   | 60   |
| K1284.10512201 | B    | left      | 12 | M20x1,5 | 20 | 70   | 50 | 30 | 18   | 6   | 12 | 20  | 30  | 3     | 20   | 60   |
| K1284.1070410  | D    | left      | 4  | M10     | 10 | 38   | 25 | 15 | 9    | 3   | 6  | 10  | 17  | 1     | 8  | 14   |
| K1284.1070510  | D    | left      | 5  | M10     | 10 | 38   | 25 | 15 | 9    | 3   | 6  | 10  | 17  | 1,3   | 8  | 14   |
| K1284.1070610  | D    | left      | 6  | M10     | 10 | 38   | 25 | 15 | 9    | 3   | 6  | 10  | 17  | 1,8   | 8  | 14   |
| K1284.1070512  | D    | left      | 5  | M12     | 12 | 47,8 | 30 | 19 | 10,8 | 3,6 | 8  | 12  | 19  | 1,3   | 8  | 15   |
| K1284.1070612  | D    | left      | 6  | M12     | 12 | 47,8 | 30 | 19 | 10,8 | 3,6 | 8  | 12  | 19  | 1,8   | 8  | 15   |
| K1284.1070812  | D    | left      | 8  | M12     | 12 | 47,8 | 30 | 19 | 10,8 | 3,6 | 8  | 12  | 19  | 2,3   | 8  | 15   |
| K1284.1070616  | D    | left      | 6  | M16     | 16 | 60,4 | 40 | 26 | 14,4 | 4,8 | 10 | 16  | 24  | 1,8   | 15   | 35   |
| K1284.1070816  | D    | left      | 8  | M16     | 16 | 60,4 | 40 | 26 | 14,4 | 4,8 | 10 | 16  | 24  | 2,3   | 15   | 35   |
| K1284.1071016  | D    | left      | 10 | M16     | 16 | 60,4 | 40 | 26 | 14,4 | 4,8 | 10 | 16  | 24  | 2,8   | 15   | 35   |
| K1284.10708201 | D    | left      | 8  | M20x1,5 | 20 | 70   | 50 | 30 | 18   | 6   | 12 | 20  | 30  | 2,3   | 20   | 60   |
| K1284.10710201 | D    | left      | 10 | M20x1,5 | 20 | 70   | 50 | 30 | 18   | 6   | 12 | 20  | 30  | 2,8   | 20   | 60   |
| K1284.10712201 | D    | left      | 12 | M20x1,5 | 20 | 70   | 50 | 30 | 18   | 6   | 12 | 20  | 30  | 3     | 20   | 60   |
| K1284.2050410  | B    | right     | 4  | M10     | 10 | 38   | 25 | 15 | 9    | 3   | 6  | 10  | 17  | 1     | 8  | 14   |
| K1284.2050510  | B    | right     | 5  | M10     | 10 | 38   | 25 | 15 | 9    | 3   | 6  | 10  | 17  | 1,3   | 8  | 14   |
| K1284.2050610  | B    | right     | 6  | M10     | 10 | 38   | 25 | 15 | 9    | 3   | 6  | 10  | 17  | 1,8   | 8  | 14   |

## Cam-action indexing plungers with stop, Form B and D

### Overview of items

| Order No.      | Form | Version 2 | D  | D1      | D2 | L    | L1 | L3 | B    | B1  | H  | SW1 | SW2 | Fx30° | Spring force<br>initial pressure<br>F1 approx. N | Spring force<br>final pressure<br>F2 approx. N |
|----------------|------|-----------|----|---------|----|------|----|----|------|-----|----|-----|-----|-------|--|--|
| K1284.2050512  | B    | right     | 5  | M12     | 12 | 47,8 | 30 | 19 | 10,8 | 3,6 | 8  | 12  | 19  | 1,3   | 8  | 15   |
| K1284.2050612  | B    | right     | 6  | M12     | 12 | 47,8 | 30 | 19 | 10,8 | 3,6 | 8  | 12  | 19  | 1,8   | 8  | 15   |
| K1284.2050812  | B    | right     | 8  | M12     | 12 | 47,8 | 30 | 19 | 10,8 | 3,6 | 8  | 12  | 19  | 2,3   | 8  | 15   |
| K1284.2050616  | B    | right     | 6  | M16     | 16 | 60,4 | 40 | 26 | 14,4 | 4,8 | 10 | 16  | 24  | 1,8   | 15   | 35   |
| K1284.2050816  | B    | right     | 8  | M16     | 16 | 60,4 | 40 | 26 | 14,4 | 4,8 | 10 | 16  | 24  | 2,3   | 15   | 35   |
| K1284.2051016  | B    | right     | 10 | M16     | 16 | 60,4 | 40 | 26 | 14,4 | 4,8 | 10 | 16  | 24  | 2,8   | 15   | 35   |
| K1284.20508201 | B    | right     | 8  | M20x1,5 | 20 | 70   | 50 | 30 | 18   | 6   | 12 | 20  | 30  | 2,3   | 20   | 60   |
| K1284.20510201 | B    | right     | 10 | M20x1,5 | 20 | 70   | 50 | 30 | 18   | 6   | 12 | 20  | 30  | 2,8   | 20   | 60   |
| K1284.20512201 | B    | right     | 12 | M20x1,5 | 20 | 70   | 50 | 30 | 18   | 6   | 12 | 20  | 30  | 3     | 20   | 60   |
| K1284.2070410  | D    | right     | 4  | M10     | 10 | 38   | 25 | 15 | 9    | 3   | 6  | 10  | 17  | 1     | 8  | 14   |
| K1284.2070510  | D    | right     | 5  | M10     | 10 | 38   | 25 | 15 | 9    | 3   | 6  | 10  | 17  | 1,3   | 8  | 14   |
| K1284.2070610  | D    | right     | 6  | M10     | 10 | 38   | 25 | 15 | 9    | 3   | 6  | 10  | 17  | 1,8   | 8  | 14   |
| K1284.2070512  | D    | right     | 5  | M12     | 12 | 47,8 | 30 | 19 | 10,8 | 3,6 | 8  | 12  | 19  | 1,3   | 8  | 15   |
| K1284.2070612  | D    | right     | 6  | M12     | 12 | 47,8 | 30 | 19 | 10,8 | 3,6 | 8  | 12  | 19  | 1,8   | 8  | 15   |
| K1284.2070812  | D    | right     | 8  | M12     | 12 | 47,8 | 30 | 19 | 10,8 | 3,6 | 8  | 12  | 19  | 2,3   | 8  | 15   |
| K1284.2070616  | D    | right     | 6  | M16     | 16 | 60,4 | 40 | 26 | 14,4 | 4,8 | 10 | 16  | 24  | 1,8   | 15   | 35   |
| K1284.2070816  | D    | right     | 8  | M16     | 16 | 60,4 | 40 | 26 | 14,4 | 4,8 | 10 | 16  | 24  | 2,3   | 15   | 35   |
| K1284.2071016  | D    | right     | 10 | M16     | 16 | 60,4 | 40 | 26 | 14,4 | 4,8 | 10 | 16  | 24  | 2,8   | 15   | 35   |
| K1284.20708201 | D    | right     | 8  | M20x1,5 | 20 | 70   | 50 | 30 | 18   | 6   | 12 | 20  | 30  | 2,3   | 20   | 60   |
| K1284.20710201 | D    | right     | 10 | M20x1,5 | 20 | 70   | 50 | 30 | 18   | 6   | 12 | 20  | 30  | 2,8   | 20   | 60   |
| K1284.20712201 | D    | right     | 12 | M20x1,5 | 20 | 70   | 50 | 30 | 18   | 6   | 12 | 20  | 30  | 3     | 20   | 60   |