

## Cap nuts compact in Hygienic DESIGN

### Item description/product images



### Description

**Material:**

Stainless steel 1.4404.

**Version:**

Polished.

**Note:**

The surface of the cap nut is polished and, with regard to design optimised for the use in hygienic environments. The top of the nut is spherical and the collar has a conical formed top face. The nut has been designed as a low version so as to keep troublesome corners as few as possible. Due to the extremely high quality surface finish of much less than Ra 0.8  $\mu\text{m}$ , hardly any dirt particles adhere to the surface.

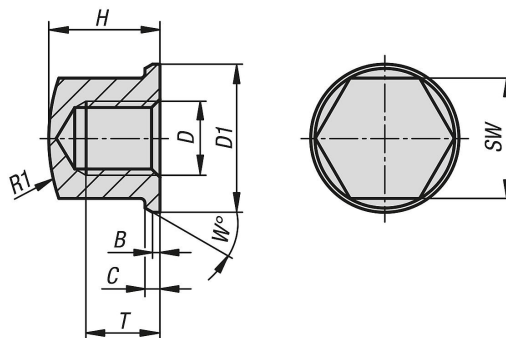
**On request:**

Inch threads, high versions.

**Accessory:**

For damage-free tightening and loosening of the screw we recommend the open-end spanners together with the protective caps (K1362).

### Drawings



### Overview of items

#### Cap nuts compact in Hygienic DESIGN

| Order No. | Main material      | D   | D1  | B    | C   | H    | R1  | SW  | T  | W  |
|-----------|--------------------|-----|-----|------|-----|------|-----|-----|----|----|
| K1332.03  | stainless steel A4 | M3  | 6,8 | 0,25 | 0,5 | 4,95 | 8,8 | 5,5 | 3  | 20 |
| K1332.04  | stainless steel A4 | M4  | 9   | 0,3  | 0,8 | 6,5  | 10  | 7   | 4  | 30 |
| K1332.05  | stainless steel A4 | M5  | 10  | 0,5  | 1   | 7    | 16  | 8   | 4  | 30 |
| K1332.06  | stainless steel A4 | M6  | 12  | 0,8  | 1   | 9    | 16  | 10  | 6  | 30 |
| K1332.08  | stainless steel A4 | M8  | 16  | 0,8  | 1,6 | 12   | 20  | 13  | 8  | 30 |
| K1332.10  | stainless steel A4 | M10 | 20  | 1    | 2   | 14   | 32  | 16  | 10 | 30 |
| K1332.12  | stainless steel A4 | M12 | 24  | 1    | 2,5 | 16   | 35  | 19  | 11 | 30 |

