

Hinge stainless steel

Item description/product images



Description

Material:

Hinge body stainless steel 1.4401.

Pin and retaining rings stainless steel 1.4305.

Version:

Satin finished.

Note:

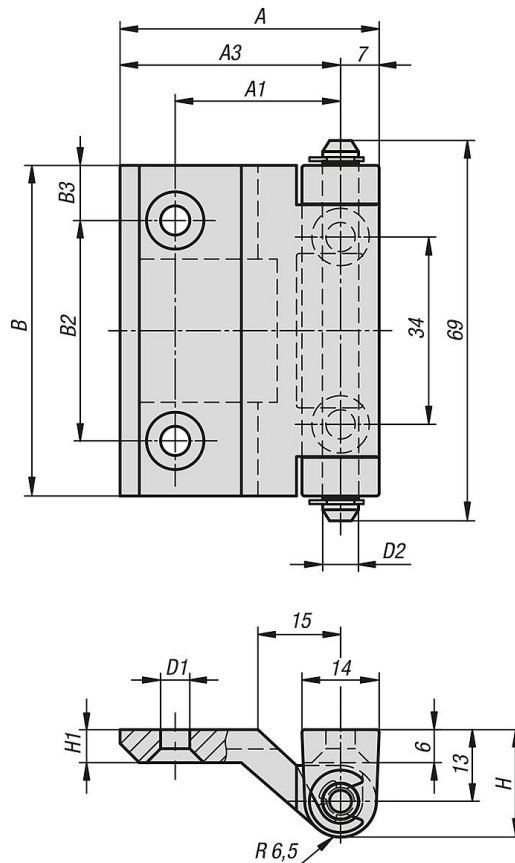
Hinge for flush constructions.

Right or left mounting.

Ideal for mounting on narrow frames.

The opening angle is max. 200°.

Drawings



Overview of items

Hinge, stainless steel

Order No.	A	A1	A3	B	B2	B3	D1	D2	H	H1
K1348.0540073000	47	30	40	60	40	10	5,3	6,5	19,5	6

