

Latch stainless steel DIN 3133

Item description/product images



Description

Material:

Stainless steel 1.4301.

Version:

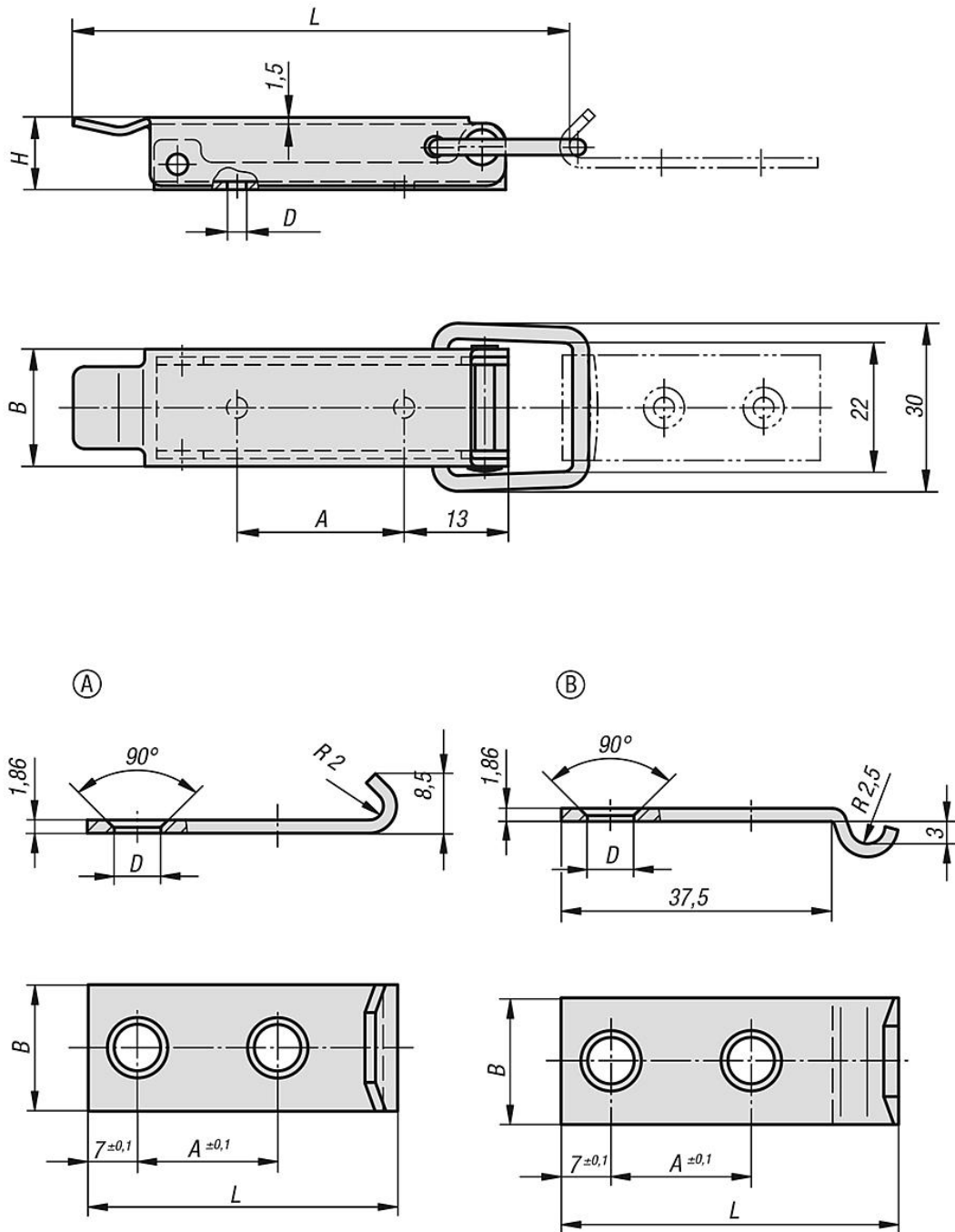
Vibratory ground.

Note:

For quickly locking vertical or horizontal lids and hatches.
With security seal possibility.

Latch stainless steel DIN 3133

Drawings



Overview of items

Latch stainless steel DIN 3133

Order No.	L	B	H	A	D
K1336.350742	70	18	12	22	3,5

Catch plates

Latch stainless steel DIN 3133**Overview of items**

Order No.	Form	L	B	A	D
K1336.91460442	A	44	18	20	4,8
K1336.92460482	B	48	18	20	4,8