

Star grips similar to DIN 6336, hexagonal, Form S

Item description/product images



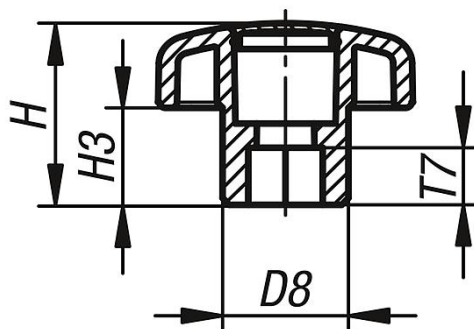
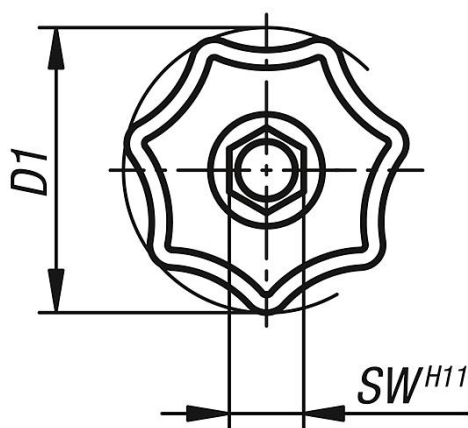
Description

Material:
Black thermoplastic.

On request:
Other colours or designs, such as company logo.

Drawings

Ⓢ



Overview of items

Order No.	Form	D1	D8	H	H3	SW	T7
K0155.808	S	32	14	20	10	8	5
K0155.810	S	40	18	25	13	10	10
K0155.813	S	50	22	32	17	13	10
K0155.816	S	63	26	40	21	16	15

