

Spring hinges steel or stainless steel, 180 mm, spring closed

Item description/product images



Description

Material:

Steel or 1.4301 stainless steel.

Tension spring stainless steel.

Version:

Steel bright or electro zinc-plated.

Stainless steel bright.

Note:

Butt type hinges.

Opening angle 270°.

Spring torque:

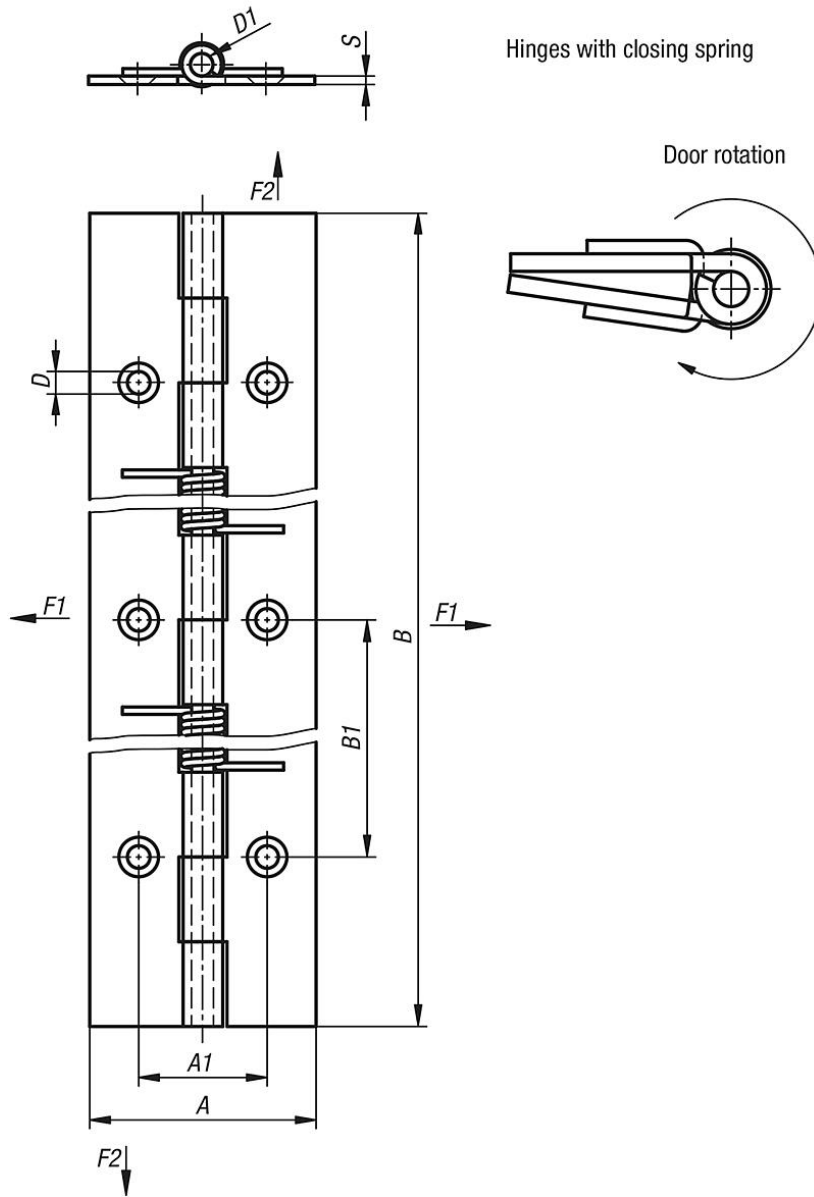
M(0°): 0.56 Nm / M(90°): 1.1 Nm / M(180°): 1.7 Nm

Form A: without holes

Form B: with holes

Spring hinges steel or stainless steel, 180 mm, spring closed

Drawings



Overview of items

Order No.	Form	Version 1	Main material	Main colour	A	A1	B	B1	D	D1	S
K1176.4018010	A	spring closed	steel	-	40	-	180	-	-	4	1,5
K1176.4018011	B	spring closed	steel	-	40	22,7	180	60	4	4	1,5
K1176.14018010	A	spring closed	stainless steel A2	-	40	-	180	-	-	4	1,5
K1176.14018011	B	spring closed	stainless steel A2	-	40	22,7	180	60	4	4	1,5