

## Magnets shallow pot with countersink SmCo

### Item description/product images



### Description

#### Material:

Housing steel.

Magnetic core SmCo (samarium cobalt).

#### Version:

Housing, electro zinc-plated.

#### Note:

Shallow pot magnets, shielded system. Magnets with an SmCo core have three to five times the attracting force of AlNiCo or hard ferrite magnets.

#### Temperature range:

max. 280°C.

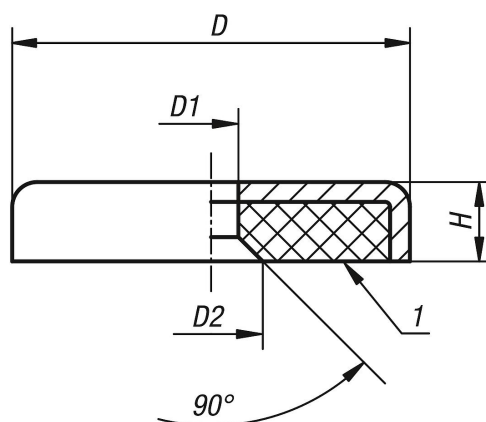
#### Assembly:

The magnets can be mounted by press-fit, screwing-in or gluing.

#### Drawing reference:

1) magnetic face

### Drawings



### Overview of items

#### Magnets shallow pot with countersink, SmCo

Order No.	D	D1	D2	H	Magnetic force N
K1401.16	16±0,15	3,5	6,6	4,5	57
K1401.20	20±0,15	4,5	9,3	6	81
K1401.25	25±0,15	4,5	9,2	7	105
K1401.32	32±0,2	5,5	11,5	7	235
K1401.40	40±0,2	5,5	11,5	8	540

