

## Oil level gauges with electronic temperature monitoring, long version

### Item description/product images



### Description

#### Material:

Housing aluminium.  
 Tube polycarbonate.  
 Caps polyamide.  
 O-ring and flat seal NBR.  
 Reflector PVC.  
 Screws and nuts, steel.

#### Version:

Sight glass crystal clear.  
 Reflector white.  
 Screws and nuts electro zinc-plated.

#### Note:

In addition to a visual check, the oil level gauges can also emit an electric signal if the temperature of the liquid inside the container reaches the threshold of 70 °C. The temperature is monitored by a temperature switch (bi-metal). When the specified temperature is reached, the sensor closes (NO) or opens (NC) the circuit depending on the model.

The maximum pressure is 1 bar. The maximum tightening torque of the fastening screws is 5 Nm.

The sight glass has high mechanical strength and is resistant to mineral oil, petrol, lubricants, petroleum, solvents and most chemical substances. Avoid contact with alcoholic solutions and hot water.

#### Temperature range:

Maximum operating temperature: 75 °C.

#### Assembly:

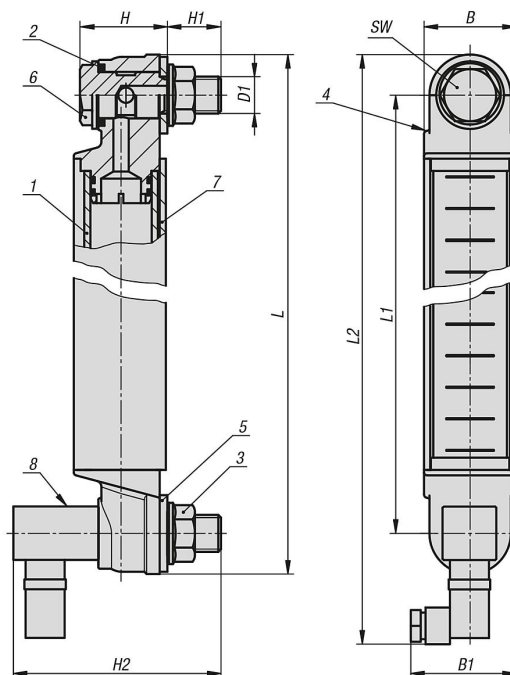
The oil level gauge is secured using two M12 tapped holes or, two 12.2 mm ( $\pm 0.2$  mm) holes and flange nuts. Centre distance for the fastening holes =  $L1 \pm 0.5$ .

#### Drawing reference:

- 1) Sight glass
- 2) O-ring
- 3) M12 flange nut
- 4) Plastic end cap
- 5) Flat seal
- 6) M12 hollow screw
- 7) Aluminium housing
- 8) Temperature sensor

## Oil level gauges with electronic temperature monitoring, long version

### Drawings



### Overview of items

#### Oil level gauge with electric temperature monitoring, long version

Order No.	Version 2	B	B1	D1	H	H1	H2	L	L1	L2	SW	Number of fastening screws
K1429.1300	normally open contact	30	39	M12	30	16,5	80	326,6	300	358,3	17	2
K1429.2300	normally closed contact	30	39	M12	30	16,5	80	326,6	300	358,3	17	2
K1429.1400	normally open contact	30	39	M12	30	16,5	80	426,6	400	458,3	17	2
K1429.2400	normally closed contact	30	39	M12	30	16,5	80	426,6	400	458,3	17	2
K1429.1500	normally open contact	30	39	M12	30	16,5	80	526,6	500	558,3	17	2
K1429.2500	normally closed contact	30	39	M12	30	16,5	80	526,6	500	558,3	17	2